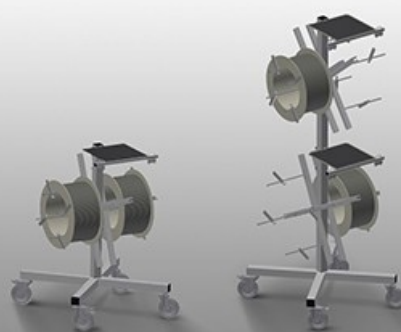


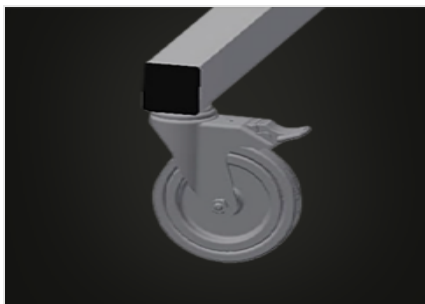


DW

Transport and trolleys

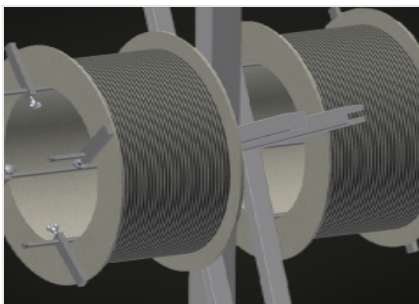


Gasket trolley for gasket reels. Stable steel construction. 2/4 reel mounts, according to model. Indispensable for gasket insertion. Adjustable for any reel diameter. Tool tray. Four swivel castors, two of which with locking stop.



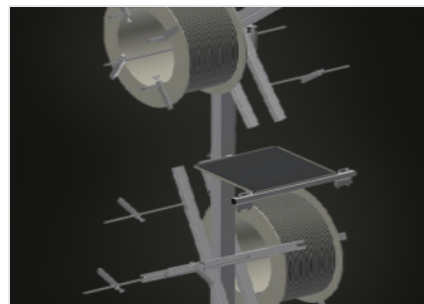
Casters

Four casters, two of which have a fixing brake, provide a high degree of mobility and easy, safe handling



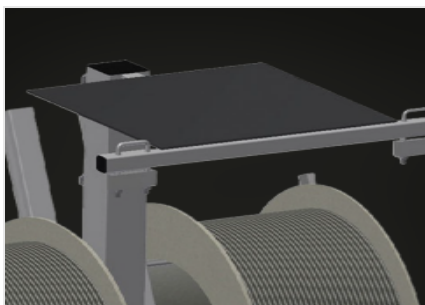
Reel mounts DW 2

For two gasket reels.
Mounts adjustable for any reel size



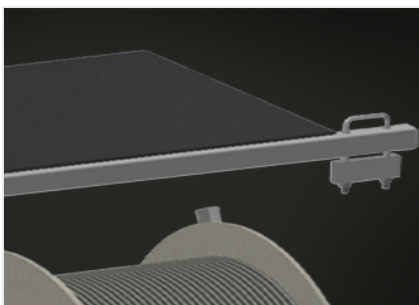
Reel mounts DW 4

For four gasket reels. Mounts adjustable for any reel size



Storage area for tools

Practical tool tray located at working height



Unwinding brake

Unwinding brake for each reel

MODELS

DIMENSION AND WEIGHT
DW 2 / DW 4

Length (mm)	700
Width (mm)	700
Height (mm)	1.005 / 1.870
Weight (kg)	25 / 40

CHARACTERISTICS
DW 2 / DW 4

Reel holder	2 / 4
Maximum reel diameter (mm)	750
Maximum reel width (mm)	250
Swivel castors	4
Swivel castors with locking stop	2
Swivel castors diameter (mm)	125

Included ● Available ○