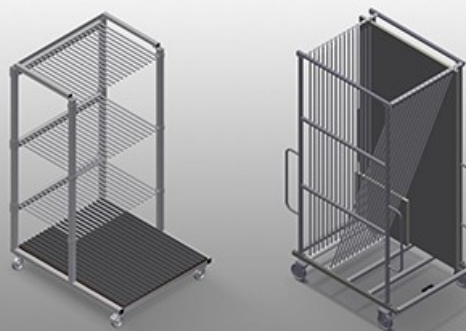




# GFW

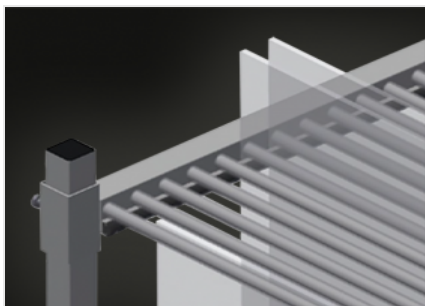
## Transport and trolleys



Glass transport trolley ideal for sorting glass and for in-house transportation of sheets of glass. Stable steel construction.

GFW 1200: Hardwood supporting surface with felt. Compartment dividers for 20 sheets of glass. Compartment dividers height is adjustable. Four swivel castors, two of which with locking stop.

GFW 15: Compartment dividers for 15 sheets of glass. Access is possible from both sides. The glass supporting surface has a rubber profile. Compartment divider with plastic protector. Transport handle on both sides for mobility. Two swivel castors and two fixed rollers.



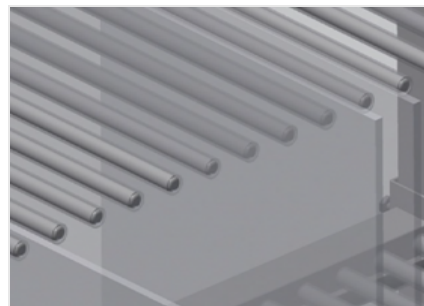
**Compartment divider with plastic protection GFW 1200**

Compartment divider height is adjustable. All supporting surfaces have a non-slip PVC cladding which protects sheets of glass from damage during storage



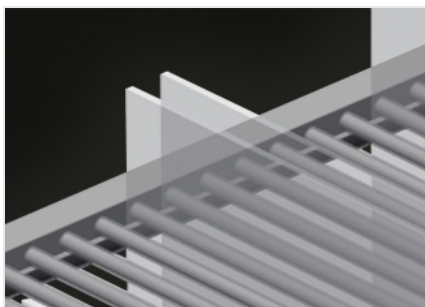
**Compartment divider with plastic protector GFW 15**

All supporting surfaces have a non-slip PVC cladding which protects the sheets of glass from damage during storage



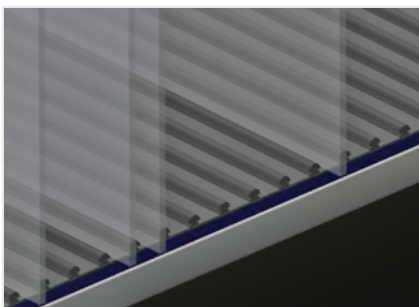
**Easy loading and unloading GFW 1200**

Well-organised storage provides quick access



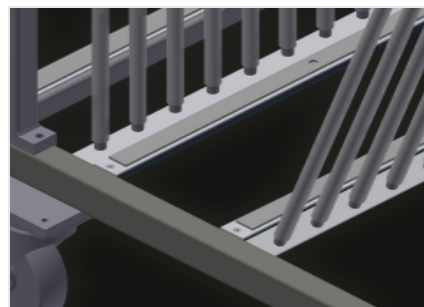
**Back support with rubber strips GFW 1200**

Rear supporting surfaces equipped with rubber strips protect sheets of glass from damage



**Bottom supporting surface of wood with felt GFW 1200**

Lower supporting surface covered with felt. Additional plastic strips on the floor



**Supports GFW 15**

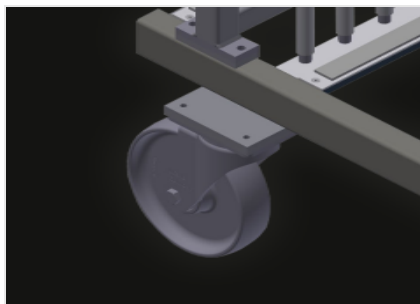
Lower supporting surfaces equipped with rubber profile to protect the sheets of glass from damage





### Castors GFW 1200

Four castors, two of which have a fixing brake, provide a high degree of mobility and easy, safe handling



### Castors, compl. GFW 15

Two castors and two fixed rollers provide mobility in all directions. Roller diameter 200 mm

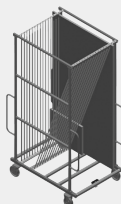


MODELS

GFW 1200



GFW 15



DIMENSION AND WEIGHT

GFW 1200 / GFW 15

Length (mm)	1.200 / 1.810
Width (mm)	1.400 / 1.300
Height (mm)	2.270 / 3.020
Weight (kg)	210 / 255

STORAGE CAPACITY

GFW 1200 / GFW 15

Compartments	20 / 15
Load capacity (kg)	800 / 750

GFW 1200

Clearance (mm)	30
----------------	----

GFW 15

Compartment width (mm)	44
Compartment height (mm)	2.600



CHARACTERISTICS

**GFW 1200 / GFW 15**

Swivel castors diameter (mm)	120 / 200
Swivel castors	4
Swivel castors with locking stop	2

Included ● Available ○