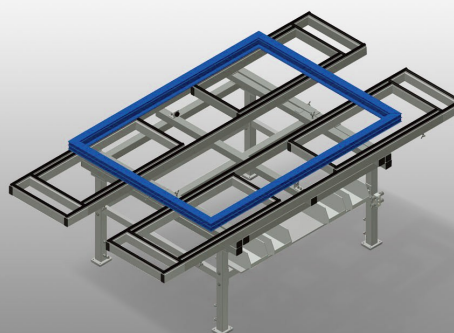




MTA

Assembly tables

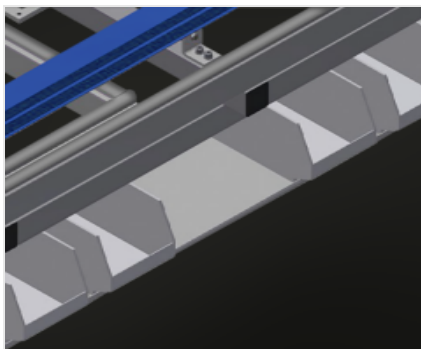


Assembly table expandable for all work tasks on frames and sashes. Stable steel construction. Universal assembly table. Pull-outs on four sides. Ideal for large elements. Adjustable height. Table supporting surface with plastic slide bars. Practical storage area under the table surface. Four PVC containers for small accessories, hardware and screws. 4-fold compressed air supply. Simple installation with a modular system design.



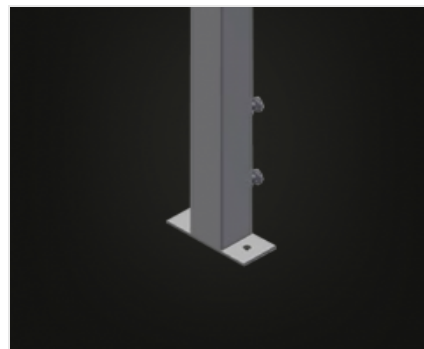
Supporting surfaces

Supporting surfaces with plastic slide bars



Storage area

Practical storage area under the table surface with 4 PVC containers for small accessories, hardware and screws



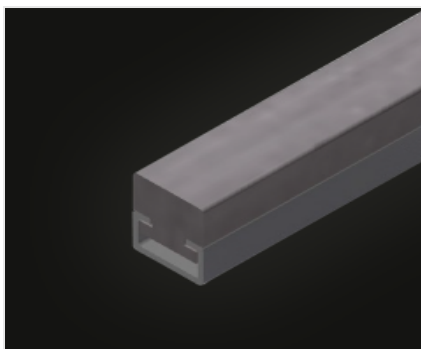
Height adjustment

Adjustable height; working height can be set to 850 - 1.000 mm by means of adjustable feet



Brush strip (Optional)

Supporting surfaces with brush strip



Felt strip (Optional)

Supporting surfaces with felt strip



Casters (Optional)

Mobile unit: two casters with brake and two fixed rollers provide mobility in all directions



MTA / ASSEMBLY TABLES

MODELS

MTA 3000



DIMENSION AND WEIGHT

Length (mm)	2.400 ÷ 4.000
Width (mm)	1.300 ÷ 1.900
Height (mm)	850 ÷ 1.000
Weight (kg)	160

SUPPORTING SURFACE

Adjustable height	<input checked="" type="radio"/>
Table brush strip supporting surface	<input type="radio"/>
Table felt profile strip supporting surface	<input type="radio"/>
Table rubber knob profile	<input type="radio"/>

CHARACTERISTICS

Storage area under the table surface	<input checked="" type="radio"/>
PVC containers	4
4-fold compressed air supply	<input checked="" type="radio"/>
Castor wheel Stand Alone (2 castors + 2 fixed)	<input type="radio"/>

Included ● Available ○

Voilàp S.p.A.
Via Archimede, 10
41019 - Limidi di Soliera (MO)
ITALY

Tel 059 895411
Fax: 059 859404
P.IVA e C.F. 02057270361
info@somecopvc.com
www.somecopvc.com

The right to make technical alterations is reserved.