



VR

Vertical Rollers Conveyors



Expandable using modular system design. Vertical roller conveyor for smooth transportation and storage of window elements. Easy handling of window elements.

VR 2000 / VR 3000 / VR 4000 / VR 2003 / VR 3003 / VR 4003: Expandable using modular system design. Every roller conveyor unit is 2.000/3.000/4.000 mm long (according to model). Plastic slide bars top and bottom. Three mini-roller conveyors with rubber rollers, diameter 50 mm. Basic unit without end rack.

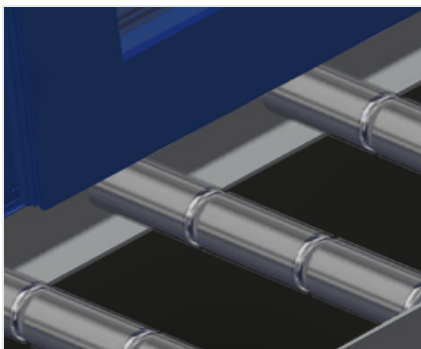
VR 2000 F / VR 3000 F / VR 4000 F / VR 2003 F / VR 3003 F / VR 4003 F: Every roller conveyor unit is 2.000/3.000/4.000 mm long (according to model). Plastic slide bars top and bottom. Three mini-roller conveyors with rubber rollers, diameter 50 mm. Basic unit without end rack.

VR 3000 DF / VR 4000 DF / VR 3003 DF / VR 4003 DF: Every roller conveyor unit is 3.000/4.000 mm long (according to model). Plastic slide bars top and bottom. Three mini-roller conveyors with rubber rollers, diameter 50 mm. Basic unit with end rack. Vertical roller conveyor on rails with flanged rollers, mobile. Roller conveyor can be rotated 360°.



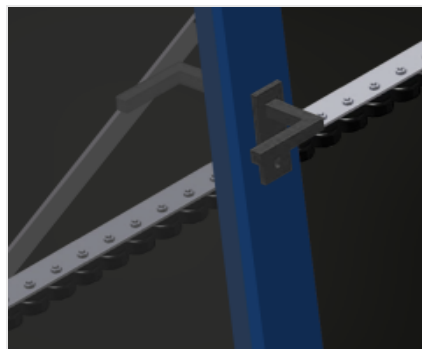
Support rollers
VR 2000 / VR 3000 /
VR 4000 / VR 2000F /
VR 3000F / VR 4000F /
VR 3000DF / VR 4000DF

Rollers throughout, support roller
width 200 mm



Support rollers
VR 2003 / VR 3003 /
VR 4003 / VR 2003F /
VR 3003F / VR 4003F /
VR 3003DF / VR 4003DF

Rollers throughout, roller conveyor
divided into three parts (L = 3 x 120
mm)



Mini-roller conveyor

Three mini-roller conveyors with
rubber rollers, diameter 50 mm



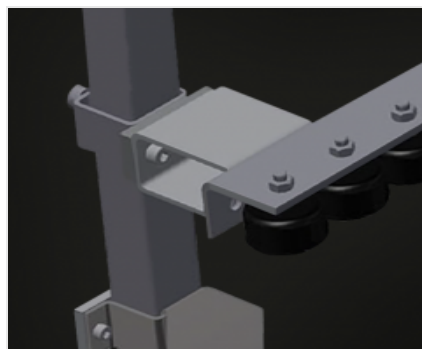
Back support

Rear back support with plastic slide
bars, top and bottom



**Roller conveyor height
adjustment VR 2000 /
VR 3000 / VR 4000 /
VR 2003 / VR 3003 /
VR 4003**

Lower roller conveyor height can be
adjusted by means of adjustable feet



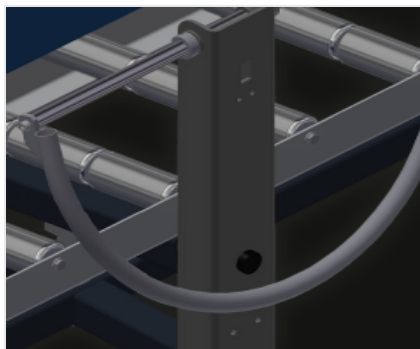
**Mini-roller conveyor
height adjustment
VR 2000 / VR 3000 /
VR 4000 / VR 2003 /
VR 3003 / VR 4003**

Mini-roller conveyor height is
adjustable



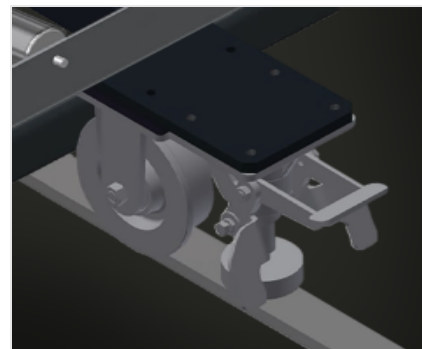
**Grip VR 2000F /
VR 3000F / VR 4000F /
VR 3000DF / VR 4000DF**

Grip makes pushing the roller conveyor on the rails easy



**Grip VR 2003F /
VR 3003F / VR 4003F /
VR 3003DF / VR 4003DF**

Grip makes pushing the roller conveyor on the rails easy



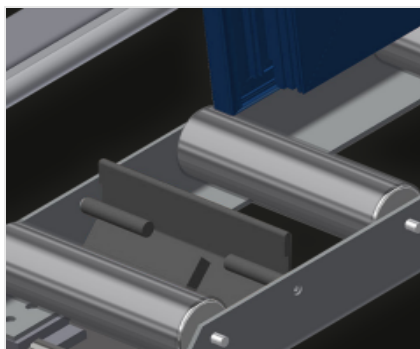
**Mobility unit (VR 2000 /
VR 3000 / VR 4000 /
VR 2003 / VR 3003 /
VR 4003 excluded)**

Mobility unit with flanged rollers and fixing brake



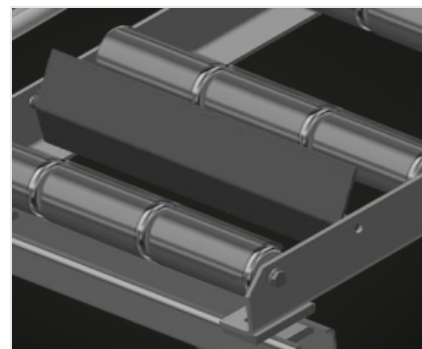
**End rack VR 2000 /
VR 3000 / VR 4000 /
VR 2003 / VR 3003 /
VR 4003 (Optional)**

End rack is mandatory at end of line



**End stop VR 2000 /
VR 3000 / VR 4000 /
VR 2000F / VR 3000F /
VR 4000F / VR 3000DF /
VR 4000DF (Optional)**

End stop L = 200 mm



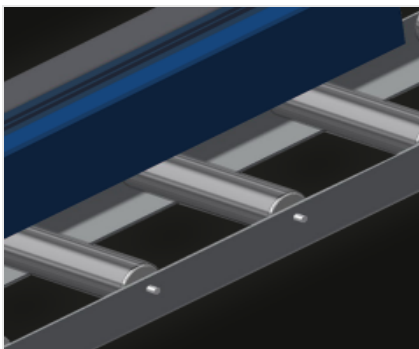
**End stop VR 2003 /
VR 3003 / VR 4003 /
VR 2003F / VR 3003F /
VR 4003F / VR 3003DF /
VR 4003DF (Optional)**

End stop L = 3x120 mm



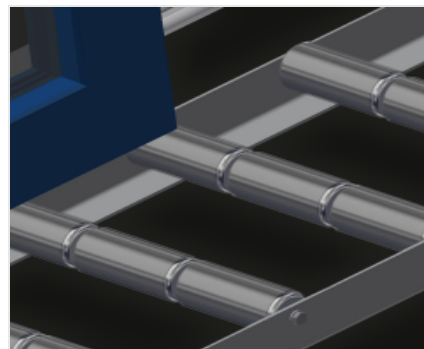
Lead-in rollers (Optional)

Protective rollers for beginning or end of roller conveyor: L = 500 mm (pair); L = 250 mm (pair)



Profile protectors VR 2000 / VR 3000 / VR 4000 / VR 2000F / VR 3000F / VR 4000F / VR 3000DF / VR 4000DF (Optional)

Profile protectors for support rollers 200 mm (Alum./11 x and Alum./16 x). Support rollers covered with protective tubing



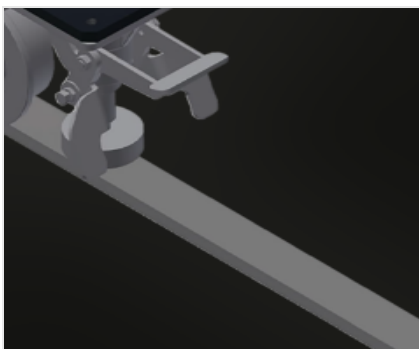
Profile protectors VR 2003 / VR 3003 / VR 4003 / VR 2003F / VR 3003F / VR 4003F / VR 3003DF / VR 4003DF (Optional)

Profile protectors for support rollers 3x120 mm (Alum./33 x and Alum./48 x). Support rollers covered with protective tubing



Additional mini-roller conveyors (Optional)

Additional mini-roller conveyors with rubber rollers top/bottom



Rails (VR 2000 / VR 3000 / VR 4000 / VR 2003 / VR 3003 / VR 4003 excluded) (Optional)

Rails, 2.0 m, left and right



VR / VERTICAL ROLLERS CONVEYORS

MODELS

VR 2000



VR 3000



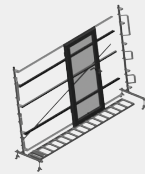
VR 4000



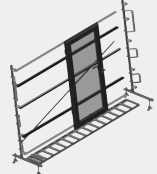
VR 2003



VR 3003



VR 4003



VR 2000 F



VR 3000 F



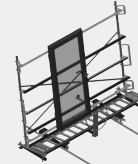
VR 4000 F



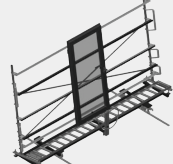
VR 2003 F



VR 3003 F



VR 4003 F



VR 3000 DF



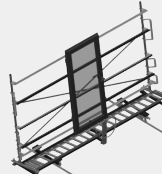
VR 4000 DF



VR 3003 DF



VR 4003 DF





DIMENSION AND WEIGHT

VR 2000 / VR 3000 / VR 4000 / VR 2003 / VR 3003 / VR 4003 / VR 2000 F / VR 3000 F / VR 4000 F / VR 2003 F / VR 3003 F / VR 4003 F / VR 3000 DF / VR 4000 DF / VR 3003 DF / VR 4003 DF

Length (mm) 2.000 / 3.000 / 4.000 / 2.000 / 3.000 / 4.000 / 2.000 / 3.000 / 4.000 / 2.000 / 3.000 / 4.000 / 2.000 / 3.000 / 4.000 / 3.000 / 4.000 / 3.000 / 4.000

Width (mm) 900 / 900 / 900 / 900 / 900 / 900 / 1.000 / 1.000 / 1.000 / 1.000 / 1.000 / 1.000 / 1.000 / 1.000 / 1.000 / 1.000 / 1.000 / 1.000 / 1.000

Height (mm) 2.400 / 2.400 / 2.400 / 2.400 / 2.400 / 2.400 / 2.490 / 2.490 / 2.490 / 2.490 / 2.490 / 2.490 / 2.490 / 2.490 / 2.490 / 2.490 / 2.490 / 2.490 / 2.490

Support height (mm) 2.100

Weight (kg) 80 / 120 / 200 / 100 / 120 / 220 / 100 / 140 / 200 / 120 / 180 / 200 / 180 / 220 / 200 / 240

VR 2000 / VR 3000 / VR 4000 / VR 2000 F / VR 3000 F / VR 4000 F / VR 3000 DF / VR 4000 DF

Support roller width (mm) 200

VR 2003 / VR 3003 / VR 4003 / VR 2003 F / VR 3003 F / VR 4003 F / VR 3003 DF / VR 4003 DF

Support roller divided into three parts (mm) 3 x 120



CHARACTERISTICS

Load capacity (kg)	200
Mini-roller conveyors with rubber rollers, diameter 50 mm	3
Basic unit with end rack	●
Lead-in rollers L= 500 mm (pair)	○
Lead-in rollers L= 250 mm (pair)	○
Additional mini-roller conveyors with rubber rollers top/bottom	○
VR 2000 F / VR 3000 F / VR 4000 F / VR 2003 F / VR 3003 F / VR 4003 F / VR 3000 DF / VR 4000 DF / VR 3003 DF / VR 4003 DF	
Vertical roller conveyor on rails with flanged rollers mobile	●
Rail 2,0 m left and right	○
VR 3000 DF / VR 4000 DF / VR 3003 DF / VR 4003 DF	
Roller conveyor can be rotated 360°	●
VR 2000 / VR 3000 / VR 4000 / VR 2003 / VR 3003 / VR 4003	
End rack	○
VR 2000 / VR 3000 / VR 4000 / VR 2000 F / VR 3000 F / VR 4000 F / VR 3000 DF / VR 4000 DF	
Profile protectors for L= 200 mm	○
End stop L= 200 mm	○
VR 2003 / VR 3003 / VR 4003 / VR 2003 F / VR 3003 F / VR 4003 F / VR 3003 DF / VR 4003 DF	
Profile protectors for L= 3x120 mm	○
End stop L= 3x120 mm	○

Included ● Available ○