

## VR 2000 F

### Vertical Rollers Conveyors



Vertical roller conveyor for transportation and storage of window elements. Stable steel construction. Expandable using modular system design. Vertical roller conveyor for smooth transportation and storage of window elements. Easy handling of window elements. Every roller conveyor unit is 2.000 mm long. Plastic slide bars top and bottom. Three mini-roller conveyors with rubber rollers, diameter 50 mm. Basic unit without end rack.



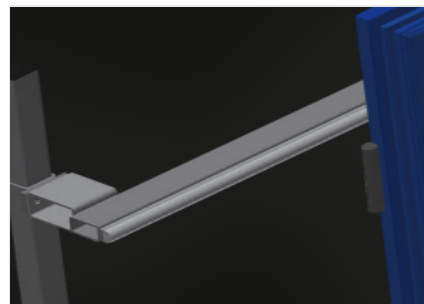
### Support rollers

Rollers throughout, support roller width 200 mm



### Mini-roller conveyor

Three mini-roller conveyors with rubber rollers, diameter 50 mm



### Back support

Rear back support with plastic slide bars, top and bottom



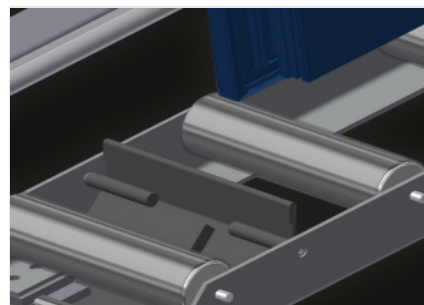
### Grip

Grip makes pushing the roller conveyor on the rails easy



### Mobility unit

Mobility unit with flanged rollers and fixing brake



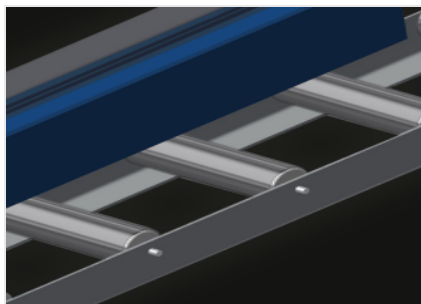
### End stop (Optional)

End stop L = 200 mm



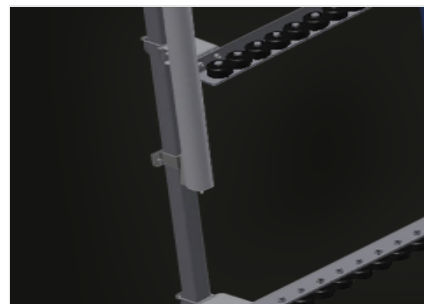
**Lead-in rollers (Optional)**

Protective rollers for beginning or end of roller conveyor: - L = 500 mm (pair)  
- L = 250 mm (pair)



**Profile protectors (Optional)**

Profile protectors for support rollers 200 mm (Alum./11 x and Alum./16 x). Support rollers covered with protective tubing



**Additional mini-roller conveyors (Optional)**

Additional mini-roller conveyors with rubber rollers top/bottom



**Rails (Optional)**

Rails, 2.0 m, left and right

**VR 2000 F / VERTICAL ROLLERS CONVEYORS****DIMENSION AND WEIGHT**

Length (mm)	2.000
Width (mm)	1.000
Height (mm)	2.490
Support roller width (mm)	200
Support height (mm)	2.100
Weight (kg)	100

**CHARACTERISTICS**

Load capacity (kg)	200
Mini-roller conveyors with rubber rollers, diameter 50 mm	3
Basic unit with end rack	●
Vertical roller conveyor on rails with flanged rollers mobile	●
Lead-in rollers L= 500 mm (pair)	○
Lead-in rollers L= 250 mm (pair)	○
Additional mini-roller conveyors with rubber rollers top/bottom	○
Profile protectors for L= 200 mm	○
End stop L= 200 mm	○
Rail 2,0 m left and right	○

Included ● Available ○