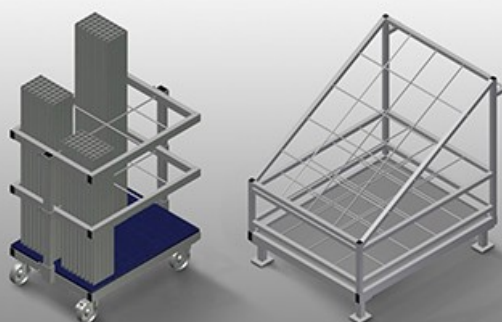




AW

Transport and trolleys



Trolley for transporting and providing a sorted selection of cut-to-length reinforcement profiles. Stable steel construction. Vertical storage and transportation of steel profiles. Compact outside dimensions. Well-organised arrangement of fixed-length profiles.

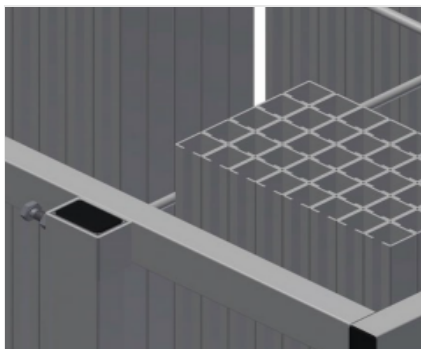
AW 800: Four swivel castors, two of which with locking stop.

AW 1100: Transportable with forklift truck.



Compartments AW 800

Six compartments, compartment size 190 x 265 mm



Grid frame AW 800

Two grid frames with height adjustment



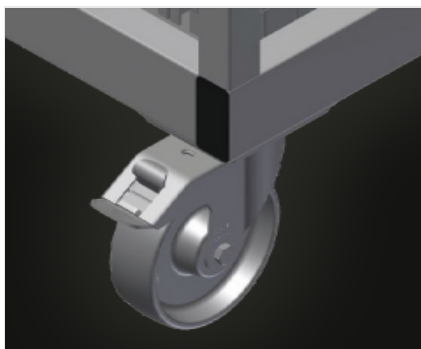
Casters AW 800

Four casters, two of which have a fixing brake, provide a high degree of mobility and easy, safe handling



Compartments AW 1100

20 compartments, 200 x 200 mm

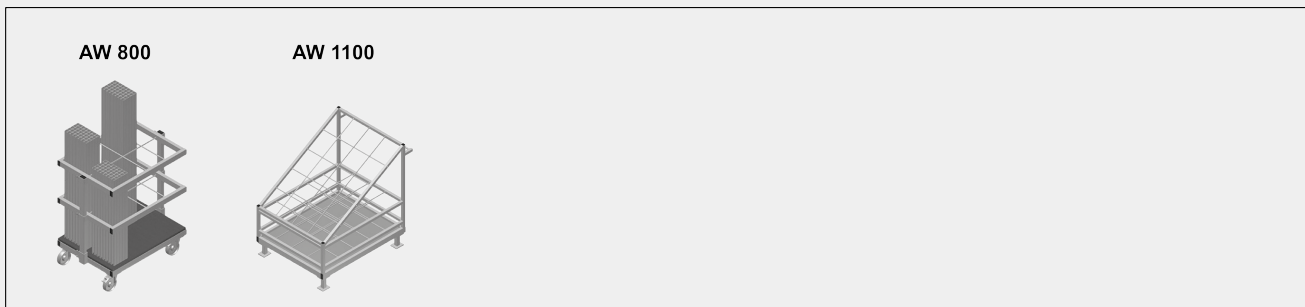


Casters, compl. AW 1100 (Optional)

Two casters with brake and two fixed rollers provide mobility in all directions, roller diameter 125 mm



MODELS



DIMENSION AND WEIGHT

Length (mm)	800 / 1.100
Width (mm)	600 / 900
Height (mm)	960 / 1.100
Weight (kg)	35 / 80

STORAGE CAPACITY

AW 800 / AW 1100

Compartments	6 / 20
Load capacity (kg)	400 / 600

CHARACTERISTICS

AW 800

Swivel castors	4
Swivel castors with locking stop	2
Swivel castors diameter (mm)	125

AW 1100

Mobile as trolley (Two swivel castors with locking stop and two fixed casters - Castors diameter 125 mm)	<input type="radio"/>
--	-----------------------

Included ● Available ○