

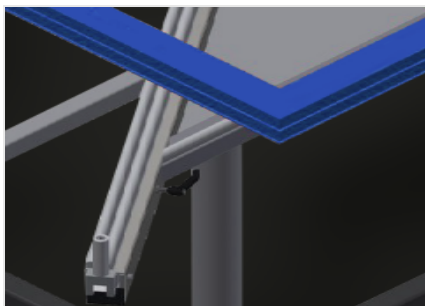


DT

Assembly tables

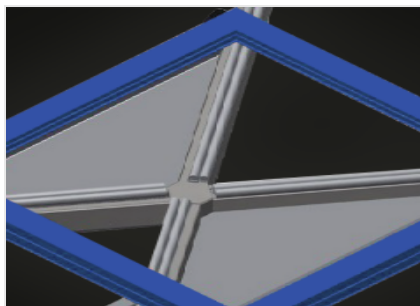


Rotating table for all work tasks on frames and sashes. Stable steel construction. Rotating work table. Versatile work table for all applications, e.g. for assembly tasks, as a work table for gasket insertion, for the post-processing of special-order production items, for hardware assembly as well as for final assembly. Four continuously adjustable pull-out support arms. Support arms are rubber coated. Table surface can be rotated 360° and locked using pedal. With practical storage tray and practical tool tray.



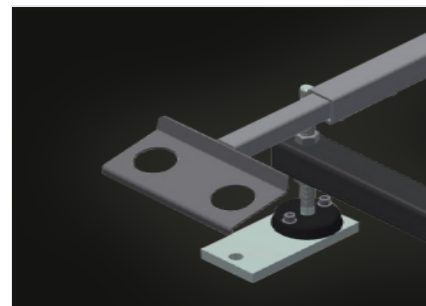
Supporting surfaces

Support arms are rubber coated



Storage area

Practical storage for small accessories, hardware and screws



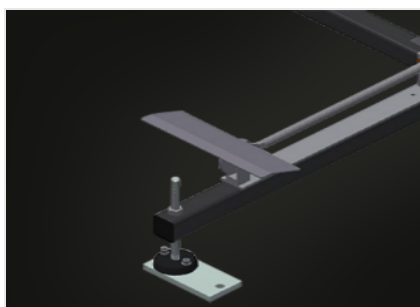
Tool rack

Tool rack for pneumatic or electrical tools



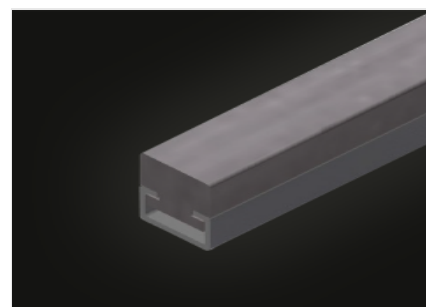
Support arms

Four pivoting and continuously adjustable pull-out support arms



Pedal brake

Table surface can be rotated 360°, foot brake for locking the rotation



Felt surface (Optional)

Felt strip



MODELS

DT 1000



DIMENSION AND WEIGHT

Length (mm)	700 ÷ 1.000
Height (mm)	900
Weight (kg)	110

SUPPORTING SURFACE

Storage tray for setting down tools and accessories	<input checked="" type="radio"/>
Rubber coated support arms	<input checked="" type="radio"/>
Felt surface	<input type="radio"/>

Included ● Available ○