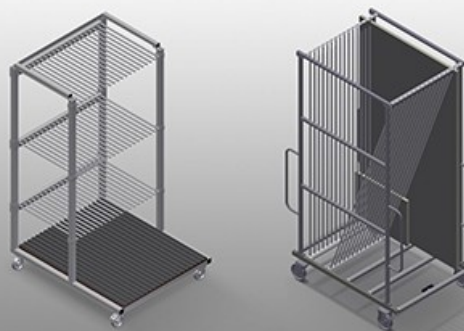




GFW

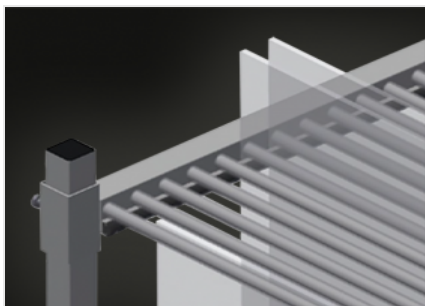
Transport and trolleys



Glass transport trolley ideal for sorting glass and for in-house transportation of sheets of glass. Stable steel construction.

GFW 1200: Hardwood supporting surface with felt. Compartment dividers for 20 sheets of glass. Compartment dividers height is adjustable. Four swivel castors, two of which with locking stop.

GFW 15: Compartment dividers for 15 sheets of glass. Access is possible from both sides. The glass supporting surface has a rubber profile. Compartment divider with plastic protector. Transport handle on both sides for mobility. Two swivel castors and two fixed rollers.



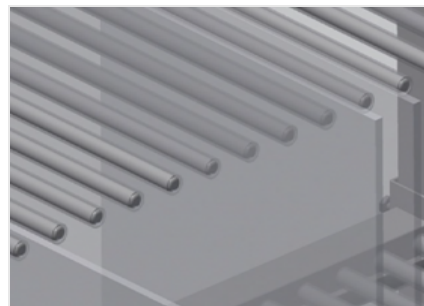
Compartment divider with plastic protection GFW 1200

Compartment divider height is adjustable. All supporting surfaces have a non-slip PVC cladding which protects sheets of glass from damage during storage



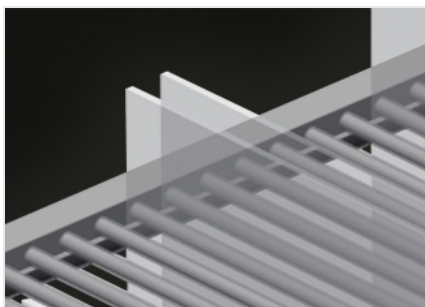
Compartment divider with plastic protector GFW 15

All supporting surfaces have a non-slip PVC cladding which protects the sheets of glass from damage during storage



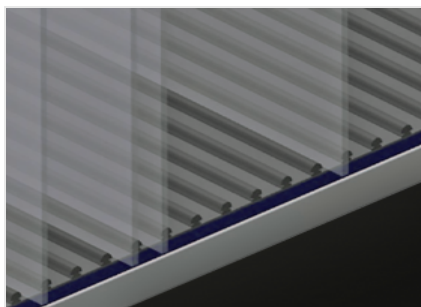
Easy loading and unloading GFW 1200

Well-organised storage provides quick access



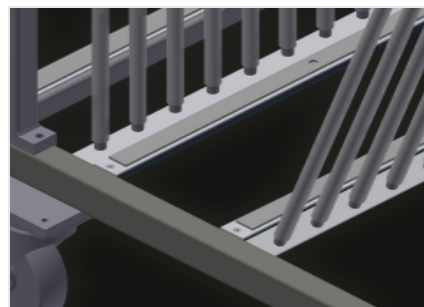
Back support with rubber strips GFW 1200

Rear supporting surfaces equipped with rubber strips protect sheets of glass from damage



Bottom supporting surface of wood with felt GFW 1200

Lower supporting surface covered with felt. Additional plastic strips on the floor



Supports GFW 15

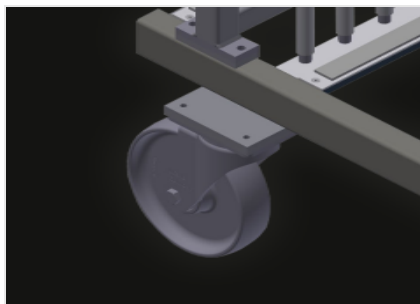
Lower supporting surfaces equipped with rubber profile to protect the sheets of glass from damage





Castors GFW 1200

Four castors, two of which have a fixing brake, provide a high degree of mobility and easy, safe handling



Castors, compl. GFW 15

Two castors and two fixed rollers provide mobility in all directions. Roller diameter 200 mm

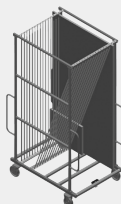


MODELS

GFW 1200



GFW 15



DIMENSION AND WEIGHT

GFW 1200 / GFW 15

Length (mm)	1.200 / 1.810
Width (mm)	1.400 / 1.300
Height (mm)	2.270 / 3.020
Weight (kg)	210 / 255

STORAGE CAPACITY

GFW 1200 / GFW 15

Compartments	20 / 15
Load capacity (kg)	800 / 750

GFW 1200

Clearance (mm)	30
----------------	----

GFW 15

Compartment width (mm)	44
Compartment height (mm)	2.600



CHARACTERISTICS

GFW 1200 / GFW 15

Swivel castors diameter (mm)	120 / 200
Swivel castors	4
Swivel castors with locking stop	2

Included ● Available ○