



## GLW

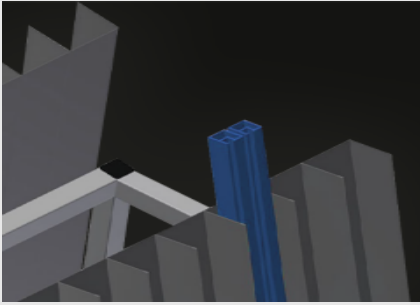
### Transport and trolleys



Double-sided profile trolley for vertical storage and transportation of glazing beads. Quick access to pre-sorted glazing beads. Stable steel construction.

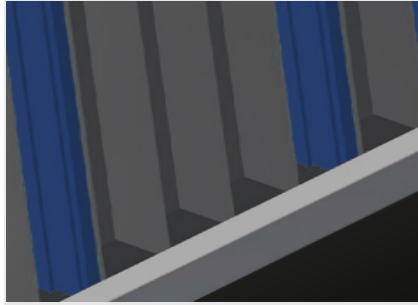
GLW 30: Glazing bead trolley with 30 compartments. 15 compartments per side. Lower supporting surface clad with rubber. Four swivel castors, two of which with locking stop.

GLW 48: Four sorting racks with fixed spacing. Compartment dividers covered with protective tubing. Lower supporting surface clad with protective rubber. Rear back support with rubber strips. 24 compartments per side. Transport handle on both sides. Four swivel castors, two of which with locking stop.



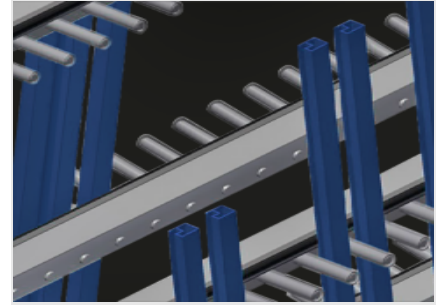
### Compartments GLW 30

15 compartments per side, 30 compartments in total. Compartment width 75 mm, Compartment depth 65 mm, Rear support height 1,500 mm, Rear support angle: 8°



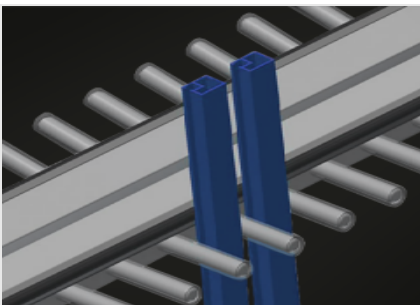
### Lower supporting surface GLW 30

Lower supporting surface clad with rubber



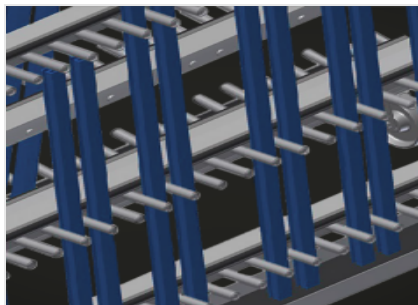
### Compartment divider with plastic protector GLW 48

All supporting surfaces have a non-slip PVC cladding which protects surfaces from damage during storage



### Back support with rubber strips GLW 48

Rear supporting surfaces equipped with rubber strips protect profiles from damage



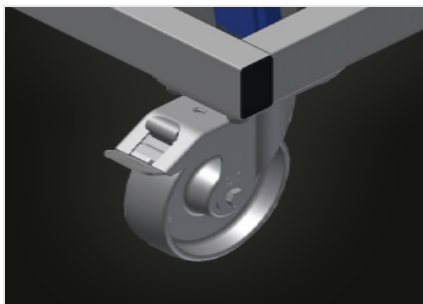
### Supporting surfaces with protective rubber GLW 48

Lower supporting surfaces clad with rubber protect the profiles from damage



### Transport handles GLW 48

Transport handles on both sides for mobility

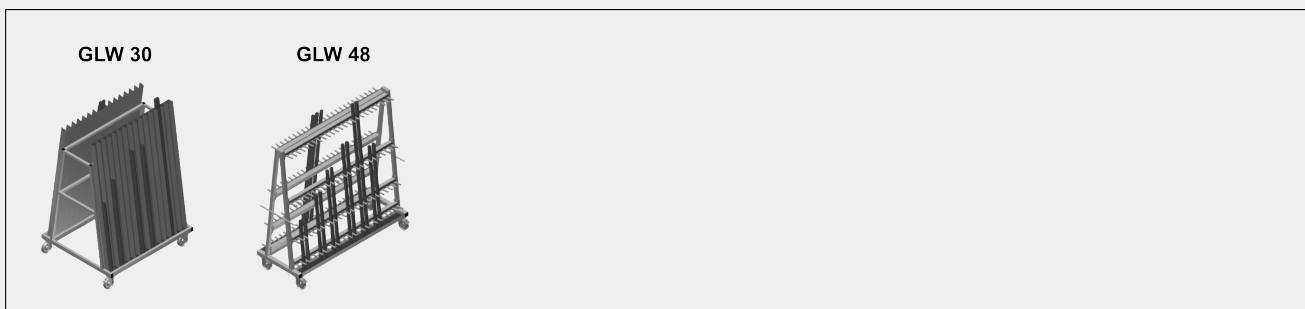


### Casters

Four casters, two of which have a fixing brake, provide a high degree of mobility and easy, safe handling



MODELS



DIMENSION AND WEIGHT

GLW 30 / GLW 48

Length (mm)	1.185 / 1.620
Width (mm)	1.000 / 650
Height (mm)	1.660 / 1.640
Weight (kg)	80 / 120

STORAGE CAPACITY

GLW 30 / GLW 48

Compartments	30 / 48
Compartments per side	15 / 24
Compartment width (mm)	75 / 40
Compartment depth (mm)	65 / 90
Load capacity (kg)	350 / 400

GLW 48

Compartment dividers	8
Support height (mm)	1.400



**CHARACTERISTICS**

Swivel castors	4
Swivel castors with locking stop	2
Swivel castors diameter (mm)	125
<b>GLW 48</b>	
Sorting racks with fixed spacing	4

Included ● Available ○