



**HT**

Assembly tables



HT 1000 / HT 2000 / HT 3000: Horizontal table for all work tasks on frames and sashes. Stable steel construction. Table supporting surface with plastic slide bars. Storage tray for setting down tools and accessories. Adjustable height. Simple installation with a modular system design.

HT 1000E / HT 2000E / HT 3000E: Modular work table for a production line (basic module). Stable steel construction. Universal system of work tables for lines with a continuous production flow. Modular system: basic module + additional module. Add-on elements for individualised expansion. Additional modules are easy to install. Versatile work table for all applications: for example, as an individual table in the production flow, as an in-line workstation for assembly work, as a work table for gasket insertion, for the post-processing of special-order production items or as a buffer zone. Table supporting surface with plastic slide bars. Adjustable height. Simple installation with a modular system design.

HT 2045L / HT 2045R: Horizontal table for all work tasks on frames and sashes. Stable steel construction. Angled work table; can be used as a pass-through in the production line or as a buffer zone. Assembly table for all work tasks on frames and sashes. Table supporting surface with plastic slide bars. Storage tray for setting down tools and accessories. Adjustable height. Simple installation with a modular system design.



**Supporting surfaces  
HT 1000 / HT 1000 E**

Supporting surfaces with plastic slide bars



**Storage tray  
HT 1000 / HT 1000 E**

Storage tray for setting down tools and accessories



**Supporting surfaces  
HT 2000 / HT 2000 E /  
HT 3000 / HT 3000 E /  
HT 2045 L / HT 2045 R**

Supporting surfaces with plastic slide bars



**Storage tray  
HT 2000 / HT 2000 E /  
HT 3000 / HT 3000 E /  
HT 2045 L / HT 2045 R**

Storage tray for setting down tools and accessories



**Height adjustment**

Adjustable height; working height can be set to 850 - 1,000 mm by means of adjustable feet



**Storage area  
HT 2000 / HT 2000 E /  
HT 3000 / HT 3000 E /  
HT 2045 L / HT 2045 R  
(Optional)**

Storage area with 6 plastic trays for small accessories, hardware and screws



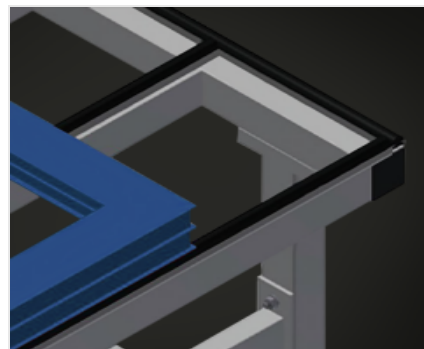
**Brush strip (Optional)**

Supporting surfaces with brush strip



**Felt strip (Optional)**

Supporting surfaces with felt strip



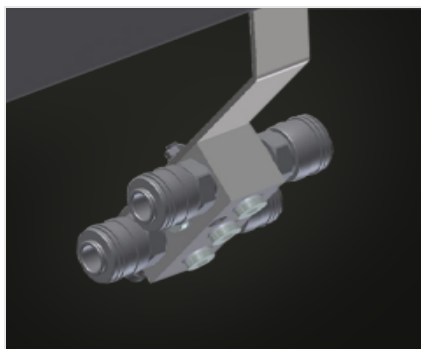
**Rubber strips (Optional)**

Supporting surfaces with rubber-knob profile



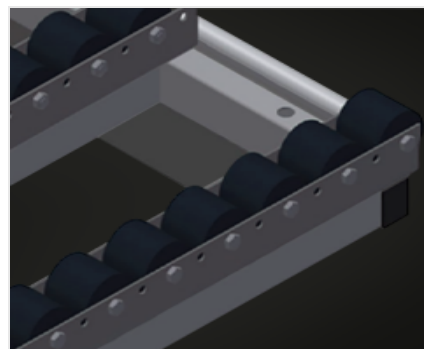
**Tool rack (Optional)**

Tool rack for pneumatic or electrical tools



**4-fold compressed air connection (Optional)**

4-fold compressed air connection for connecting compressed-air tools



**Roller support compl. (Optional)**

Hard plastic rollers with polyamide coating, on plain bearings, load per roller 60 kg, convenient for transport and handling of PVC elements



**Pneumatic lifting unit  
HT 1000 (Optional)**

Lifting unit L = 1.000 mm



**End rack  
HT 1000 E / HT 2000 E /  
HT 3000 E (Optional)**

End rack for HT



**End strip with knob  
profile  
HT 1000 E / HT 2000 E /  
HT 3000 E (Optional)**

End strip with knob profile for HT



**Pneumatic lifting unit  
HT 2000 (Optional)**

Lifting unit L = 2.000 mm



**Fold-up pass-through  
section  
HT 1000 E / HT 2000 E /  
HT 3000 E (Optional)**

Roller support, cmpl., for fold-up pass-through section



**Parallelogram support,  
cmpl., for 90°  
HT 2045 R (Optional)**

The rhomboid support surface is available in versions with plastic sliding strips, brush strips, felt strips, rubber strips or roller support



**Triangle support,  
cmpl., for in-line use  
HT 2045 R (Optional)**

The triangular support surface is available in versions with plastic sliding strips, brush strips, felt strips, rubber strips or roller support

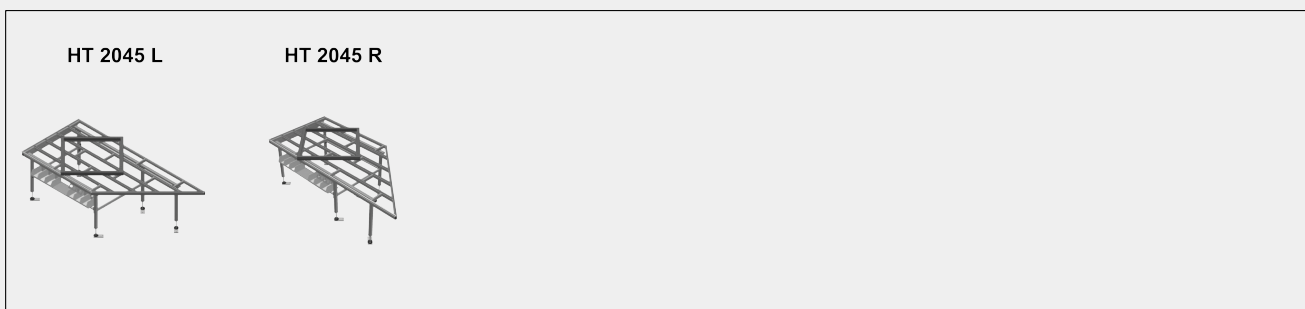
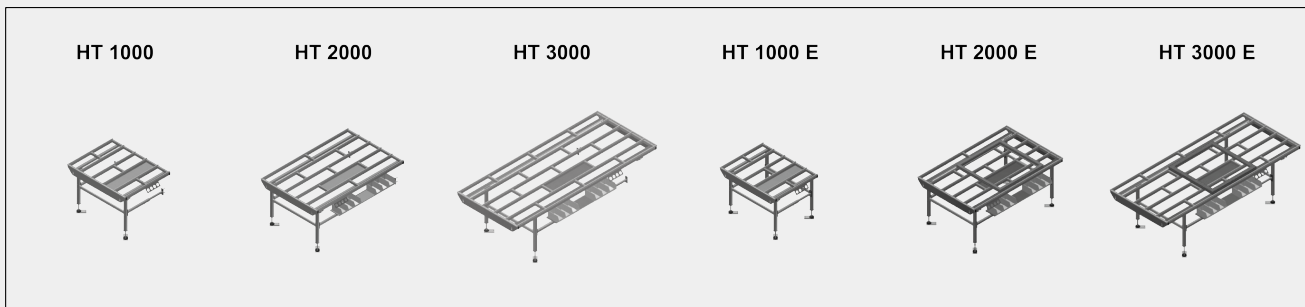


**Pneumatic lifting unit  
HT 3000 E (Optional)**

Lifting unit L = 3.000 mm



MODELS



DIMENSION AND WEIGHT

HT 1000 / HT 2000 / HT 3000 / HT 1000 E / HT 2000 E / HT 3000 E / HT 2045 L / HT 2045 R

Length (mm)	1.000 / 2.000 / 3.000 / 1.000 / 2.000 / 3.000 / 2.850 / 2.850
Width (mm)	1.300
Height (mm)	850 + 1.000
Weight (kg)	70 / 90 / 120 / 60 / 80 / 100 / 100 / 100

SUPPORTING SURFACE

HT 1000 / HT 2000 / HT 3000 / HT 1000 E / HT 2000 E / HT 3000 E / HT 2045 L / HT 2045 R

Adjustable height	<input checked="" type="radio"/>
Table supporting surface with plastic slide bars	<input type="radio"/>
Table brush strip supporting surface	<input type="radio"/>
Table felt profile strip supporting surface	<input type="radio"/>
Table rubber knob profile	<input type="radio"/>
Roller support	<input type="radio"/>

Voilàp S.p.A.  
 Via Archimede, 10  
 41019 - Limidi di Soliera (MO)  
 ITALY

Tel 059 895411  
 Fax: 059 859404  
 P.IVA e C.F. 02057270361  
 info@somecopvc.com  
 www.somecopvc.com

The right to make technical alterations is reserved.



SUPPORTING SURFACE

HT 1000 / HT 2000 / HT 3000 / HT 20245 L / HT 2045 R

Storage tray for setting down tools and accessories

HT 1000 / HT 2000 / HT 3000 E

Lifting unit

HT 1000 E / HT 2000 E / HT 3000 E

Tool holder

Roller support for fold-up walk-through section

Fold-up walk-through section

HT 2045 R

Parallelogram support for 90°

Table brush strip supporting surface for parallelogram support

Table felt profile strip supporting surface for parallelogram support

Table rubber knob profile for parallelogram support

Roller support for parallelogram support 90°

Triangle support

Table brush strip supporting surface for triangle support

Table felt profile strip supporting surface for triangle support

Table rubber knob profile for triangle support

Roller support surface for triangle support

CHARACTERISTICS

HT 1000 / HT 2000 / HT 3000 / HT 20245 L / HT 2045 R

Tool holder

HT 1000 E / HT 2000 E / HT 3000 E

End strip with knob profile

End rack

HT 2000 / HT 3000 / HT 2000 E / HT 3000 E / HT 20245 L / HT 2045 R

Storage tray

HT 1000 / HT 2000 / HT 3000 / HT 1000 E / HT 2000 E / HT 3000 E / HT 20245 L / HT 2045 R

4-fold compressed air supply

Included ● Available ○