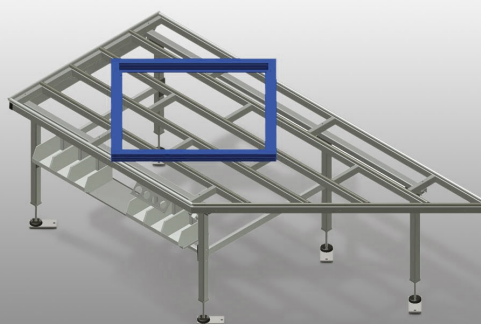




HT 2045 L

Assembly tables



Horizontal table for all work tasks on frames and sashes. Stable steel construction. Angled work table; can be used as a pass-through in the production line or as a buffer zone. Assembly table for all work tasks on frames and sashes. Table supporting surface with plastic slide bars. Storage tray for setting down tools and accessories. Adjustable height. Simple installation with a modular system design.



Supporting surfaces

Supporting surfaces with plastic slide bars



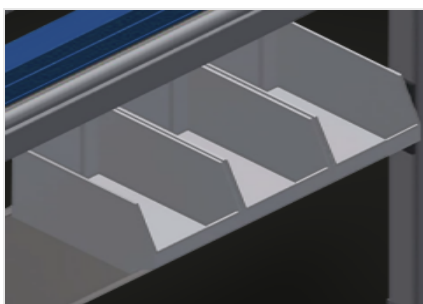
Storage tray

Storage tray for setting down tools and accessories



Height adjustment

Adjustable height; working height can be set to 850 - 1,000 mm by means of adjustable feet



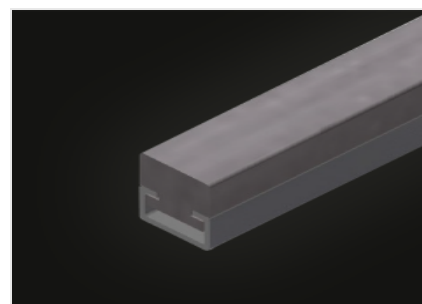
Storage area (Optional)

Storage area with 6 plastic trays for small accessories, hardware and screws



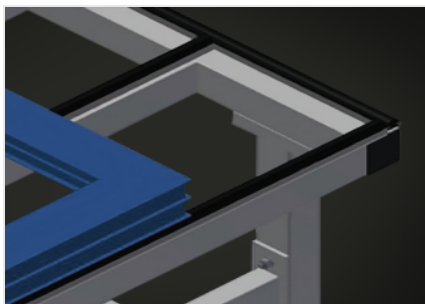
Brush strip (Optional)

Supporting surfaces with brush strip



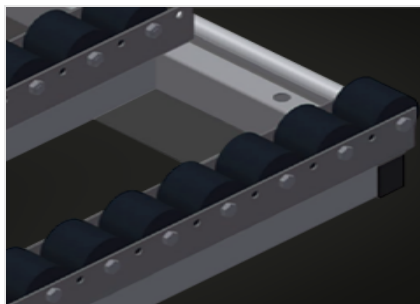
Felt strip (Optional)

Supporting surfaces with felt strip



**Rubber strips
(Optional)**

Supporting surfaces with rubber-knob profile



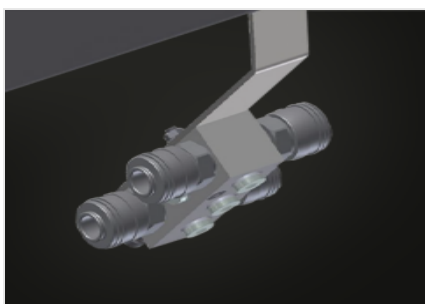
**Roller support compl.
(Optional)**

Hard plastic rollers with polyamide coating, on plain bearings, load per roller 60 kg, convenient for transport and handling of PVC elements



Tool rack (Optional)

Tool rack for pneumatic or electrical tools



**4-fold compressed air
connection (Optional)**

4-fold compressed air connection for connecting compressed-air tools

HT 2045 L / ASSEMBLY TABLES

DIMENSION AND WEIGHT

Length (mm)	2.850
Width (mm)	1.300
Height (mm)	850 ÷ 1.000
Weight (kg)	100

SUPPORTING SURFACE

Adjustable height	<input checked="" type="radio"/>
Storage tray for setting down tools and accessories	<input checked="" type="radio"/>
Table supporting surface with plastic slide bars	<input checked="" type="radio"/>
Table brush strip supporting surface	<input type="radio"/>
Table felt profile strip supporting surface	<input type="radio"/>
Table rubber knob profile	<input type="radio"/>
Roller support	<input type="radio"/>

CHARACTERISTICS

Tool holder	<input type="radio"/>
Storage tray	<input type="radio"/>
4-fold compressed air supply	<input type="radio"/>

Included ● Available ○