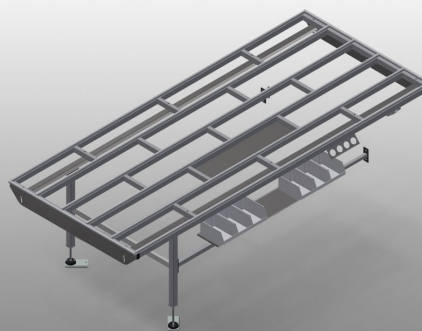


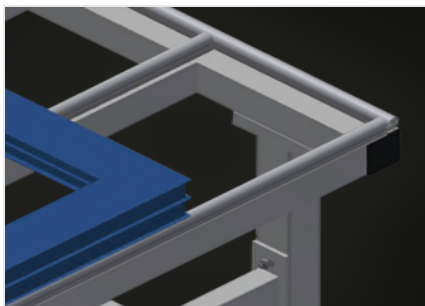


## HT 3000 E

Assembly tables

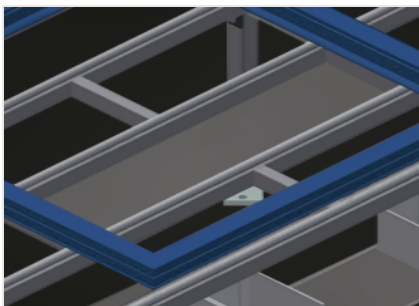


Modular work table for a production line (basic module). Stable steel construction. Universal system of work tables for lines with a continuous production flow. Modular system: basic module + additional module. Add-on elements for individualised expansion. Additional modules are easy to install. Versatile work table for all applications: for example, as an individual table in the production flow, as an in-line workstation for assembly work, as a work table for gasket insertion, for the post-processing of special-order production items or as a buffer zone. Table supporting surface with plastic slide bars. Adjustable height. Simple installation with a modular system design.



**Supporting surfaces**

Supporting surfaces with plastic slide bars



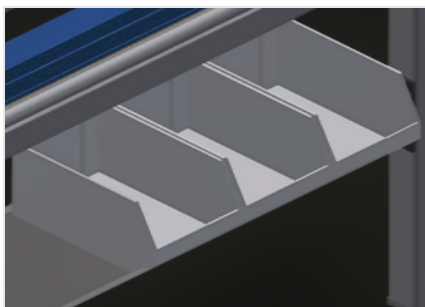
**Storage tray**

Storage tray for setting down tools and accessories



**Height adjustment**

Adjustable height; working height can be set to 850 - 1,000 mm by means of adjustable feet



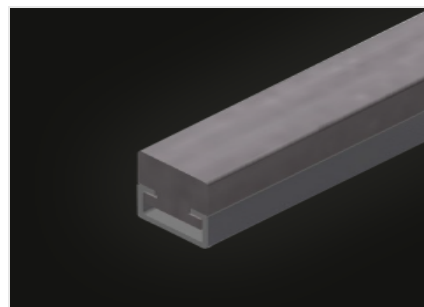
**Storage area (Optional)**

Storage area with 6 plastic trays for small accessories, hardware and screws



**Brush strip (Optional)**

Supporting surfaces with brush strip



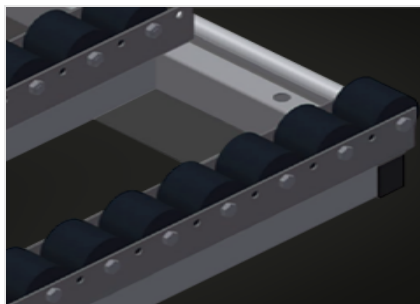
**Felt strip (Optional)**

Supporting surfaces with felt strip



**Tool rack (Optional)**

Tool rack for pneumatic or electrical tools



**Roller support compl. (Optional)**

Hard plastic rollers with polyamide coating, on plain bearings, load per roller 60 kg, convenient for transport and handling of PVC elements



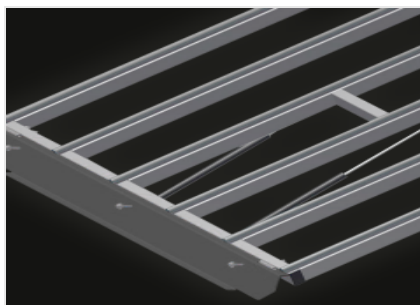
**End rack (Optional)**

End rack for HT



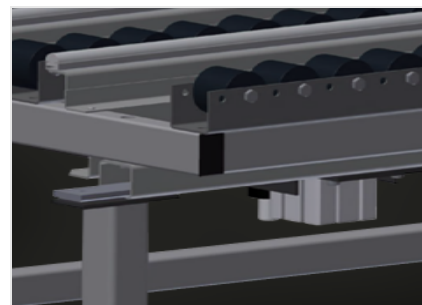
**End strip with knob profile (Optional)**

End strip with knob profile for HT



**Fold-up pass-through section for HT (Optional)**

Roller support, compl., for fold-up passthrough section



**Pneumatic lifting unit (Optional)**

Lifting unit L = 3.000 mm



HT 3000 E / ASSEMBLY TABLES

**DIMENSION AND WEIGHT**

Length (mm)	3.000
Width (mm)	1.300
Height (mm)	850 ÷ 1.000
Weight (kg)	100

**SUPPORTING SURFACE**

Adjustable height	<input checked="" type="radio"/>
Table supporting surface with plastic slide bars	<input checked="" type="radio"/>
Table brush strip supporting surface	<input type="radio"/>
Table felt profile strip supporting surface	<input type="radio"/>
Table rubber knob profile	<input type="radio"/>
Roller support	<input type="radio"/>
Tool holder	<input type="radio"/>
Roller support for fold-up walk-through section	<input type="radio"/>
Fold-up walk-through section	<input type="radio"/>
Lifting unit	<input type="radio"/>

**CHARACTERISTICS**

End strip with knob profile	<input type="radio"/>
End rack	<input type="radio"/>
Storage tray	<input type="radio"/>
4-fold compressed air supply	<input type="radio"/>

Included ● Available ○