



KW

Transport and trolleys

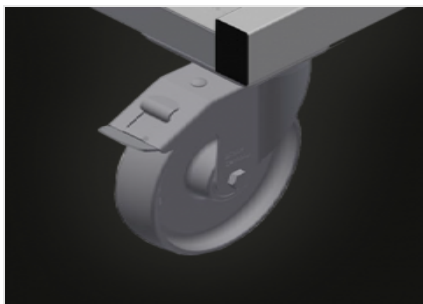


Commissioning trolley for in-house transportation of window elements. Stable steel construction. Profile supports with rubber surface. Four swivel castors, two of which with locking stop.

KW 2: Openings for forklift transportation. Four hooks for crane transportation. Four lashing strap attachment points. Castors can be removed for increased stability of the commissioning trolley in a lorry.

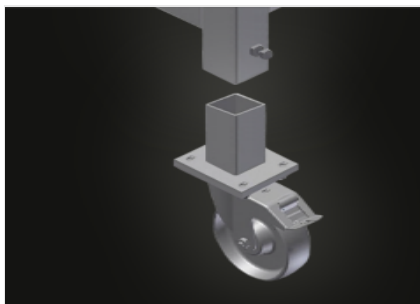
KW 3: Can be nested when not loaded - a space-saving feature.

KW 4: Openings for forklift transportation. Four hooks for crane transportation. Four lashing strap attachment points. Castors can be removed for increased stability of the commissioning trolley.



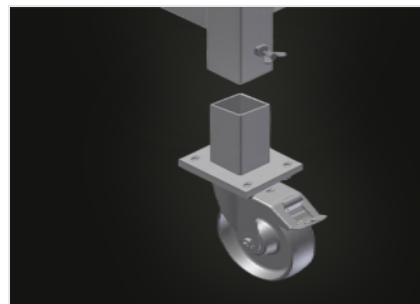
Casters KW 1 / KW 3

Four casters, two of which have a fixing brake, provide a high degree of mobility and easy, safe handling



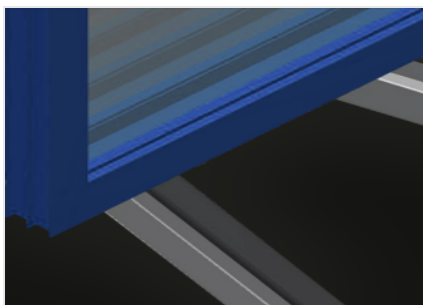
Lenkrollen abnehmbar KW 2

Lenkrollen abnehmbar, dadurch sicherer Stand des Kommissionswagens auf dem LKW. Vier Lenkrollen, davon zwei mit Feststellbremse, bieten hohe Beweglichkeit und leichte, sichere Handhabung



Removable casters KW 4

Casters can be removed for increased stability of the commissioning trolley on the floor. Four casters, two of which have a fixing brake, provide a high degree of mobility and easy, safe handling



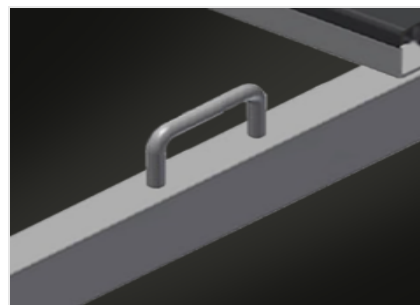
Supports with rubber strip

Supporting surfaces equipped with rubber strips to protect profiles from damage



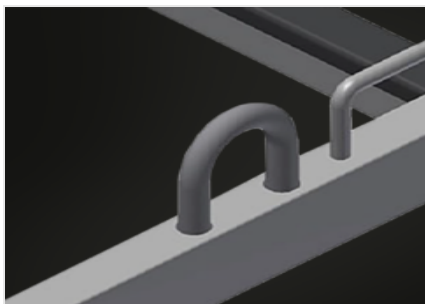
Transport handles KW 1 / KW 3

Transport handle on both sides for mobility



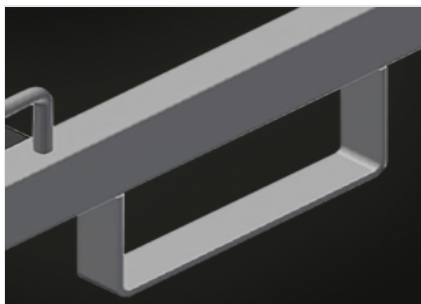
Lashing strap attachment points KW 2 / KW 4

With four lashing strap attachment points



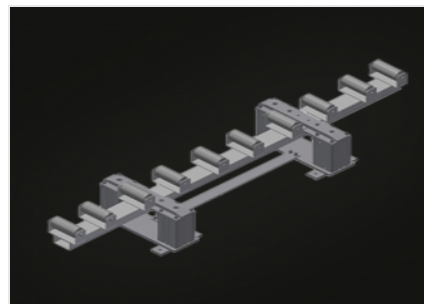
Crane attachment points KW 2 / KW 4

Equipped with four crane attachment points



Forklift openings KW 2 / KW 4

Equipped with four forklift openings

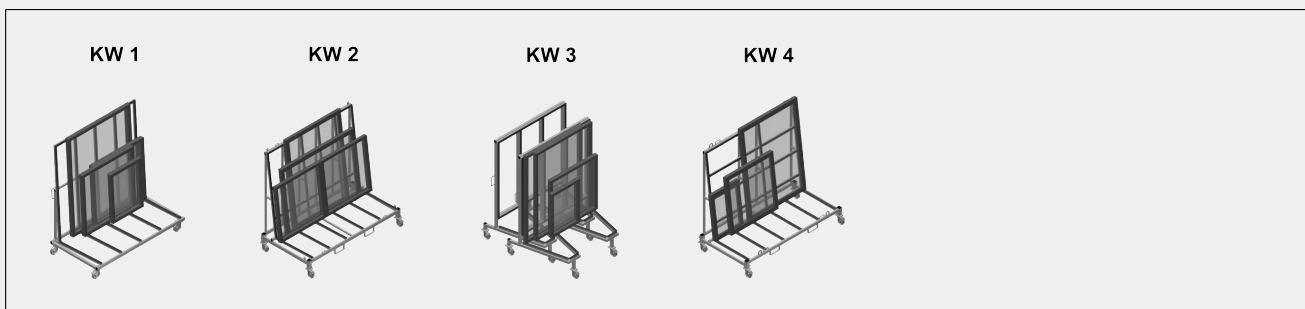


Lifting station KW 4 (Optional)

HBR 1600 Lifting station for the transfer of heavy windows to the transport trolley KW 4



MODELS



DIMENSION AND WEIGHT

KW 1 / KW 2 / KW 3 / KW 4

Length (mm)	1.690 / 2.025 / 1.600 / 2.000
Width (mm)	910 / 1.090 / 1.130 / 1.000
Height (mm)	1.768 / 1.880 / 1.960 / 1.850
Weight (kg)	100 / 130 / 90 / 150

STORAGE CAPACITY

KW 1 / KW2 / KW 3 / KW 4

Load capacity (kg)	400 / 600 / 400 / 500
--------------------	-----------------------

KW 2

Effective width (mm)	800
Support height (mm)	1.500



CHARACTERISTICS

KW 2 / KW 4

Openings for forklift transportation	●
Hooks for crane transportation	4
Lashing strap attachment points	4

KW 2

Trolley also for external transportation	●
Castors can be removed for commissioning trolley in a lorry	●

KW 3

Horizontally stackable when not loaded	●
--	---

KW 4

Lifting station for the transfer of heavy windows	○
---	---

KW 1 / KW 2 / KW 3 / KW 4

Swivel castors diameter (mm)	125
Swivel castors	4
Swivel castors with locking stop	2

Included ● Available ○