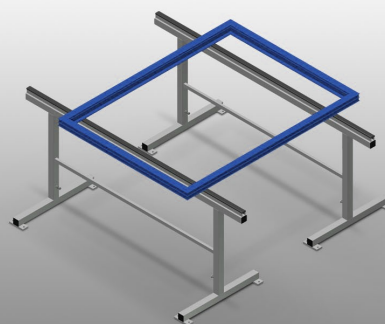




MB

Assembly tables



Assembly stands for working on large window elements. Stable steel construction. Assembly stand 2.0 m long. Simple installation with a modular system design. Rubber profile supporting surface. Set of assembly stands (1 pair). Adjustable height.



Supporting surfaces

Supporting surfaces with rubber profile



Height adjustment

Adjustable height 850 - 1.000 mm



MODELS

MB 2000



DIMENSION AND WEIGHT

| | |
|-------------|-------------|
| Length (mm) | 2.000 |
| Width (mm) | 700 |
| Height (mm) | 850 ÷ 1.000 |
| Weight (kg) | 40 |

SUPPORTING SURFACE

| | |
|-----------------------------------|---|
| Assembly stand length (m) | 2 |
| Set of assembly stands: 1 pair | ● |
| Rubber profile supporting surface | ● |

Included ● Available ○