



MS

Assembly tables

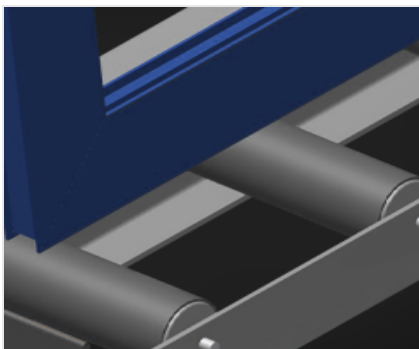


Assembly table for vertical assembly. Stable steel construction. Ideal for vertical assembly. Suitable for lines. Infinitely variable intermediate positions for ergonomic working. Height adjustment by means of pneumatic cylinder. Roller support with steel rollers. Table supporting surface with plastic slide bars. Two horizontally adjustable profile clamps. 4-fold compressed air supply.



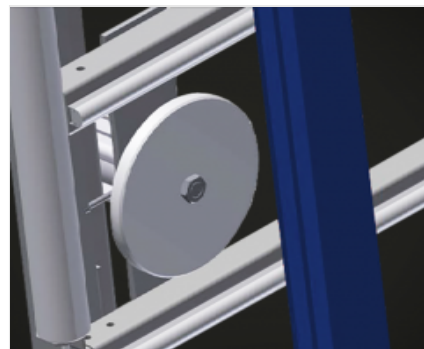
Supporting surfaces

Supporting surfaces with plastic slide bars



Roller support

Lower roller conveyor with support roller, L = 200 mm



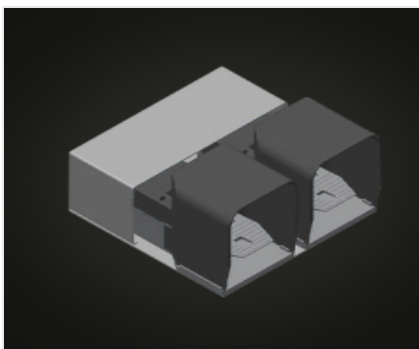
Clamps

Two material clamps at the side fix the profile while working, profile clamping height, max. 200 mm



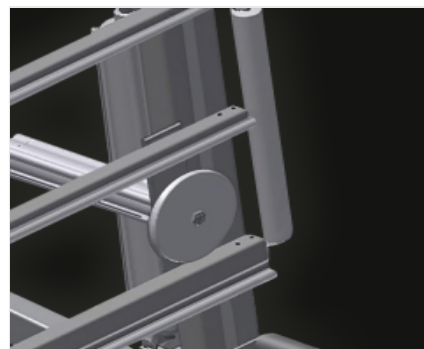
Height adjustment

Adjustable height, working height can be set by means of adjustable feet



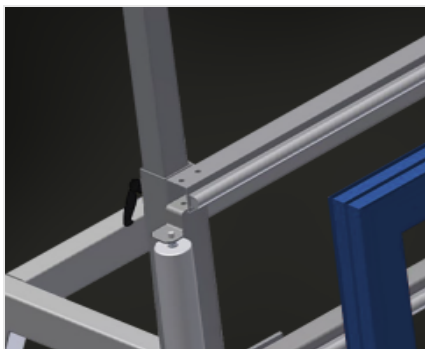
Foot switch

Control via foot valve. Height adjustable pneumatically by 500 mm in the vertical position, clamping is pneumatic

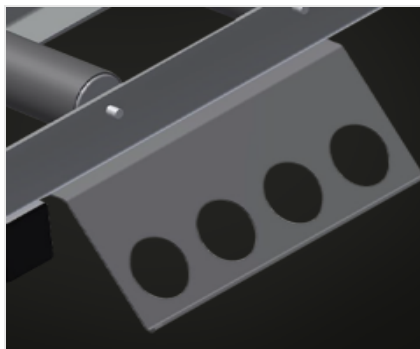


Lead-in rollers

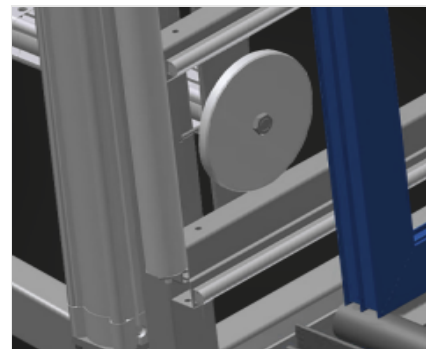
Protective rollers for beginning or end of roller conveyor


Pull-out profile support (Optional)

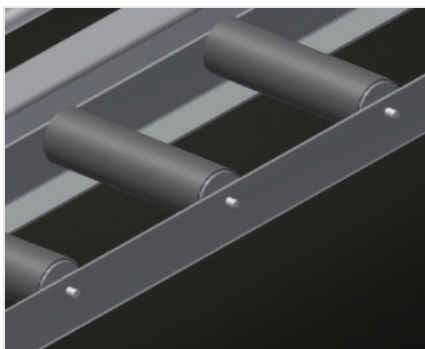
The table support can be pulled out at the top for MS 3000 and MS 4000 by 800 mm and 500 mm to accommodate high frames


Holder plate for screw driving unit (Optional)

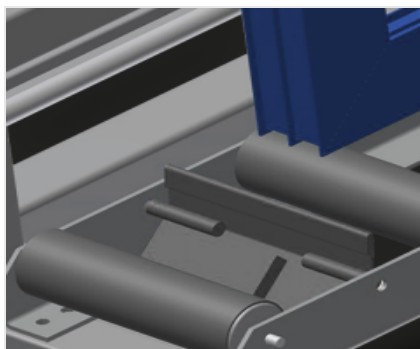
Tool rack for pneumatic tools


Positionable profile clamps (Optional)

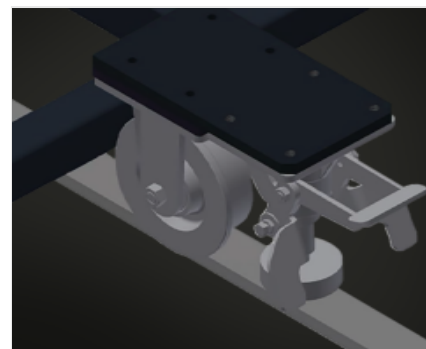
Auxiliary clamps provide extra security when working


Profile protectors for support rollers (Optional)

Profile protectors for support rollers, 200 mm (Alum./16 x and Alum./21 x), roller conveyor with protective tubing over the rollers to protect the window element during infeed and outfeed


End stop (Optional)

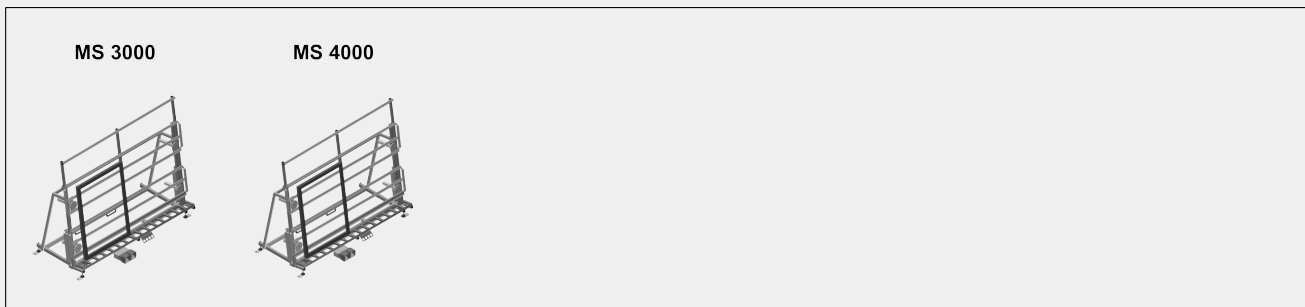
End stop L = 200


Mobility unit (Optional)

Mobility unit for KT/KTH/MS/VE. Mobility unit with flanged rollers and fixing brake



MODELS



DIMENSION AND WEIGHT

MS 3000 / MS 4000

Length (mm)	3.110 / 4.110
Width (mm)	1.200
Vertical height (mm)	2.050
Roller conveyor width (mm)	200
Weight (kg)	330 / 370

SUPPORTING SURFACE

Pneumatic height adjustment (mm)	500
Pneumatic vertical height adjustment	●
Pull-out profile support	○
Profile protectors for support rollers	○
Load capacity (kg)	300



CHARACTERISTICS

Horizontally adjustable profile clamps	2
Positionable profile clamps	○
Holder plate L=290 mm	○
End stop	○
4-fold compressed air supply	●
Mobility unit	○
Rail 2,0 m left and right	○
Operating air pressure (bar)	7
Air consumption approx. (l/min)	35

Included ● Available ○