



MST

Assembly tables



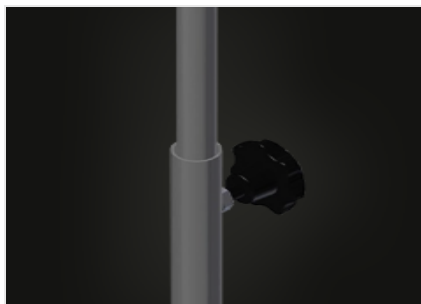
MST 1000: Stable steel construction galvanised. Plastic support rollers. Height is adjustable.

MST 2000 - MST 3000: Assembly table expandable for all work tasks on frames and sashes. Stable steel construction. Assembly table for all work tasks on frames and sashes. Horizontal frame transportation. Storage tray for setting down tools and accessories. Adjustable height. Table supporting surface with plastic slide bars. Simple installation with a modular system design.



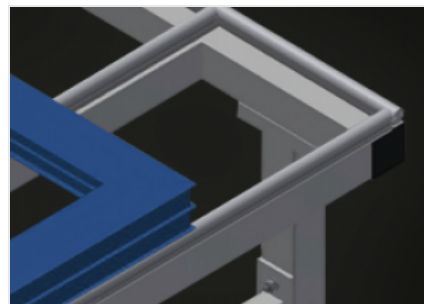
**Plastic rollers
MST 1000**

Support rollers L = 500 mm



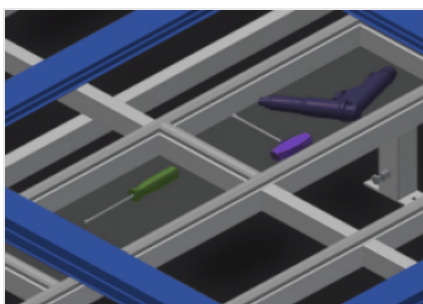
**Height adjustment
MST 1000**

Adjustable height 700 - 1.100 mm



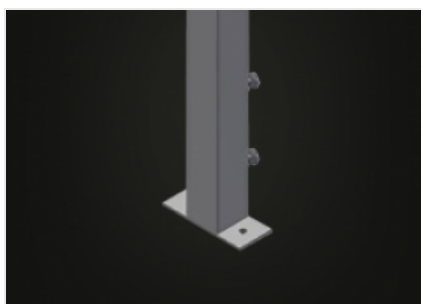
**Supporting surfaces
MST 2000 / MST 3000**

Supporting surfaces with plastic slide bars



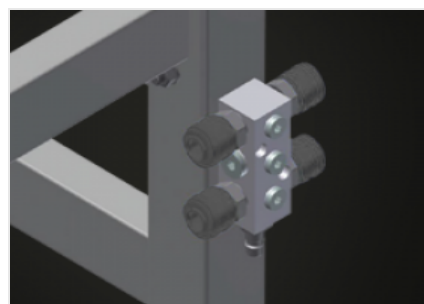
**Storage tray
MST 2000 / MST 3000**

Storage tray for setting down tools and accessories



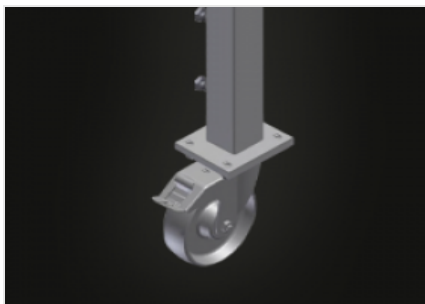
**Height adjustment
MST 2000 / MST 3000**

Adjustable height; working height can be set to 850 - 1.000 mm by means of adjustable feet



**4-fold compressed air connection
MST 2000 / MST 3000
(Optional)**

4-fold compressed air connection for connecting compressed-air tools



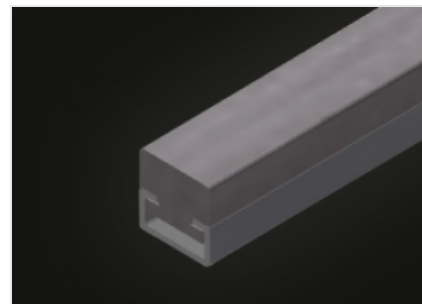
**Casters
MST 2000 / MST 3000
(Optional)**

Mobile unit: two casters with brake and two fixed rollers provide mobility in all directions



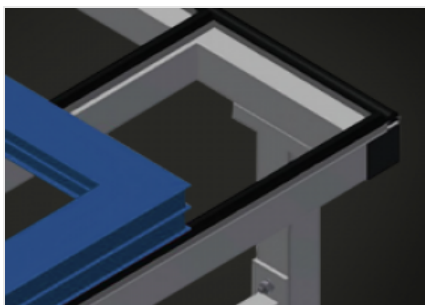
**Brush strip
MST 2000 / MST 3000
(Optional)**

Supporting surfaces with brush strip



**Felt strip
MST 2000 / MST 3000
(Optional)**

Supporting surfaces with felt strip



**Rubber strips
MST 2000 / MST 3000
(Optional)**

Supporting surfaces with rubber-knob profile



MST / ASSEMBLY TABLES

MODELS



DIMENSION AND WEIGHT

MST 1000 / MST 2000 / MST 3000

Length (mm)	550 / 2.000 / 3.000
Width (mm)	450 / 1.300 / 1.300
Weight (kg)	10 / 90 / 110

MST 2000 / MST 3000

Height (mm)	850 ÷ 1.000
-------------	-------------

SUPPORTING SURFACE

MST 1000

Support roller diameter (mm)	50
Support roller length (mm)	500
Adjustable height (mm)	700 ÷ 1.100

MST 2000 / MST 3000

Adjustable height	<input checked="" type="checkbox"/>
Storage tray for setting down tools and accessories	<input checked="" type="checkbox"/>
Table brush strip supporting surface	<input type="checkbox"/>
Table felt profile strip supporting surface	<input type="checkbox"/>
Table rubber knob profile	<input type="checkbox"/>



CHARACTERISTICS

MST 2000 / MST 3000

4-fold compressed air supply

Castor wheel Stand Alone (2 castors + 2 fixed)

Included ● Available ○