

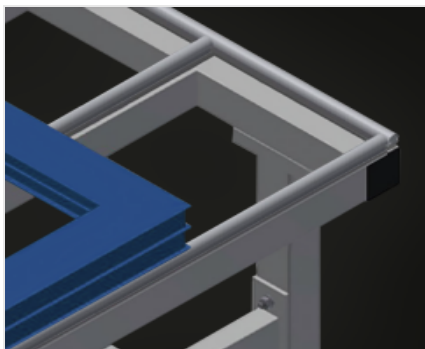


**MT**

Assembly tables

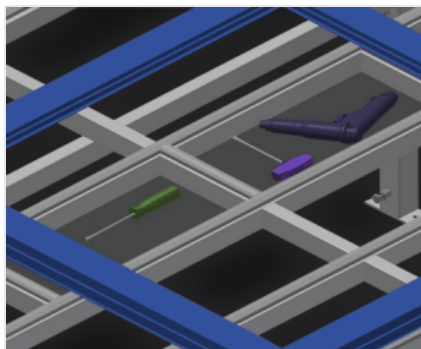


Assembly table for all work tasks on frames and sashes. Stable steel construction. Table supporting surface with plastic slide bars. Storage tray for setting down tools and accessories. Adjustable height. Practical storage area under the table surface. Four PVC containers for small accessories, hardware and screws. 4-fold compressed air supply. Simple installation with a modular system design.



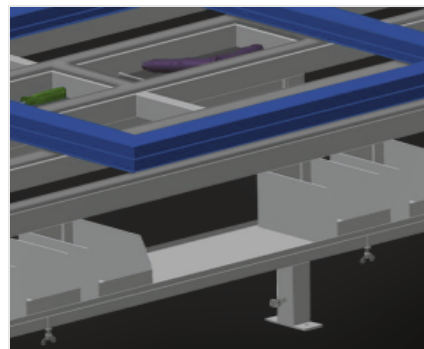
**Supporting surfaces**

Supporting surfaces with plastic slide bars



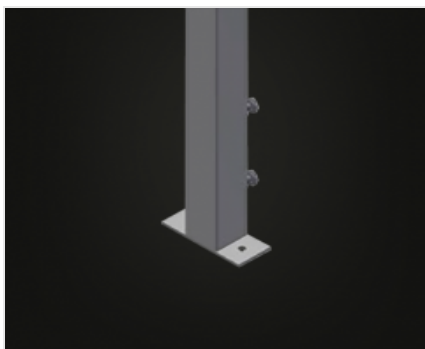
**Storage tray**

Storage tray for setting down tools and accessories



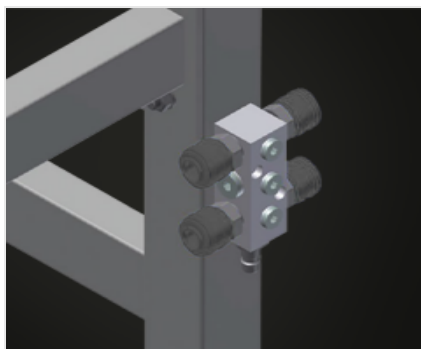
**Storage area**

Storage area with four plastic trays for small accessories, hardware and screws



**Height adjustment**

Adjustable height; working height can be set to 850 - 1.000 mm by means of adjustable feet



**4-fold compressed air connection**

4-fold compressed air connection for connecting compressed-air tools



**Casters (Optional)**

Mobile unit: two casters with brake and two fixed rollers provide mobility in all directions



**Brush strip (Optional)**

Supporting surfaces with brush strip



**Felt strip (Optional)**

Supporting surfaces with felt strip



**Rubber strips (Optional)**

Supporting surfaces with rubber-knob profile



**Tool rack (Optional)**

Tool rack for pneumatic or electrical tools



**Maintenance unit (Optional)**

Maintenance unit for compressed-air tools

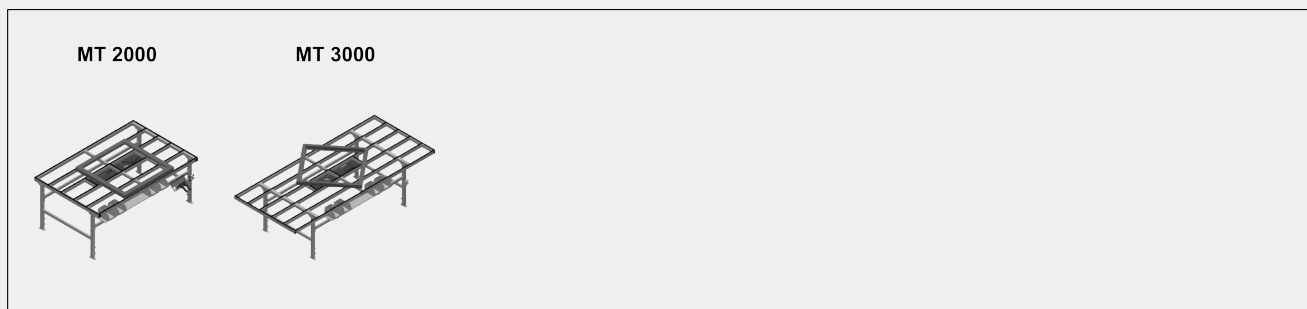


**Double two-pin grounded socket (Optional)**



### MT / ASSEMBLY TABLES

#### MODELS



#### DIMENSION AND WEIGHT

##### MT 2000 / MT 3000

Length (mm)	2.000 / 3.000
Width (mm)	1.300
Height (mm)	850 + 1.000
Weight (kg)	100 / 120

#### SUPPORTING SURFACE

#### CHARACTERISTICS

Storage area under the table surface	<input checked="" type="checkbox"/>
PVC containers	4
4-fold compressed air supply	<input checked="" type="checkbox"/>
Tool holder	<input type="checkbox"/>
Service unit 1/4 with 4-fold air connections, Festo	<input type="checkbox"/>
Double two-pin grounded socket 230V 16A AP	<input type="checkbox"/>
Castor wheel Stand Alone (2 castors + 2 fixed)	<input type="checkbox"/>

Included ● Available ○