



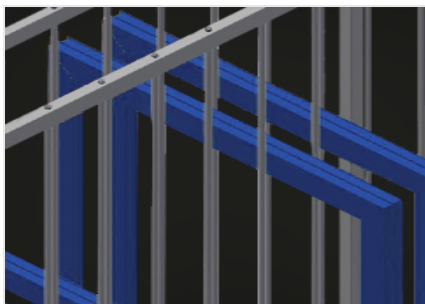
RFR

Rack systems



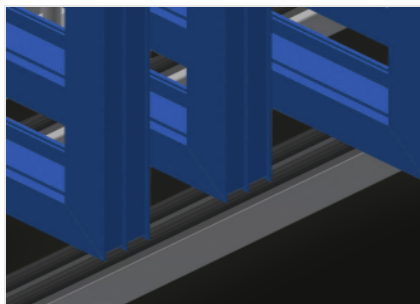
Rack for storage of frame elements. Stable steel construction. Rack for storage of frames. The individual elements are available for direct access. Specially designed for integration in assembly lines. Access is possible from both sides. Floor support equipped with knob profile. Compartment separating bars covered with protective tubing.

RFR 10/01 - RFR 10/02: Supporting surface with rollers for even easier loading and unloading.



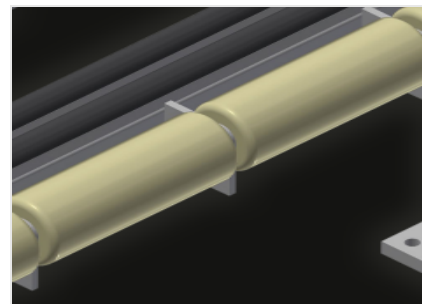
Compartments

All supporting surfaces have a non-slip PVC cladding which protects surfaces from damage during storage



Supports

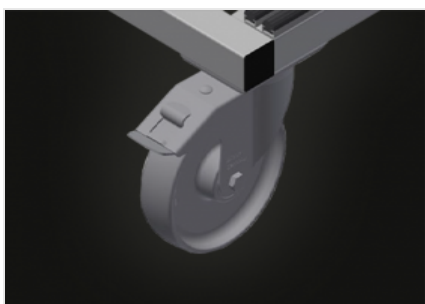
Lower supporting surfaces with knob profile to protect profiles from damage



Rollers

RFR 10/01 / RFR 10/02

Rollers are mounted to every compartment for even easier loading and unloading of heavy or large elements



Casters, cmpl. RFR 10 (Optional)

Two casters with brake and two fixed rollers provide mobility in all directions, roller diameter 125 mm



MODELS

DIMENSION AND WEIGHT

RFR 10 / RFR 10/01 / RFR 10/02

Length (mm)	1.650 / 1.650 / 1.950
Width (mm)	1.000 / 1.620 / 1.620
Height (mm)	2.965 / 3.375 / 3.375
Weight (kg)	230 / 250 / 275

STORAGE CAPACITY

RFR 10 / RFR 10/01 / RFR 10/02

Compartments	10
Compartment width (mm)	130 / 130 / 160
Compartment height (mm)	2.600 / 3.010 / 3.010
Load capacity (kg)	800

Included ● Available ○