



## **SBZ 609**

Cutting and machining  
centers



A fast downstream centre for reinforcement screw driving, drilling and routing cut-to-length profiles for window, door and curtain wall manufacturing with and without steel reinforcement. Portal design for high profile cross-sections and process-optimised throughfeed. Additional efficiency through parallel processing by external reinforcement screwdriver system.

**Voilàp S.p.A.**  
Via Archimede, 10  
41019 - Limidi di Soliera (MO)  
ITALY

Tel 059 895411  
Fax: 059 859404  
P.IVA e C.F. 02057270361  
info@somecopvc.com  
www.somecopvc.com

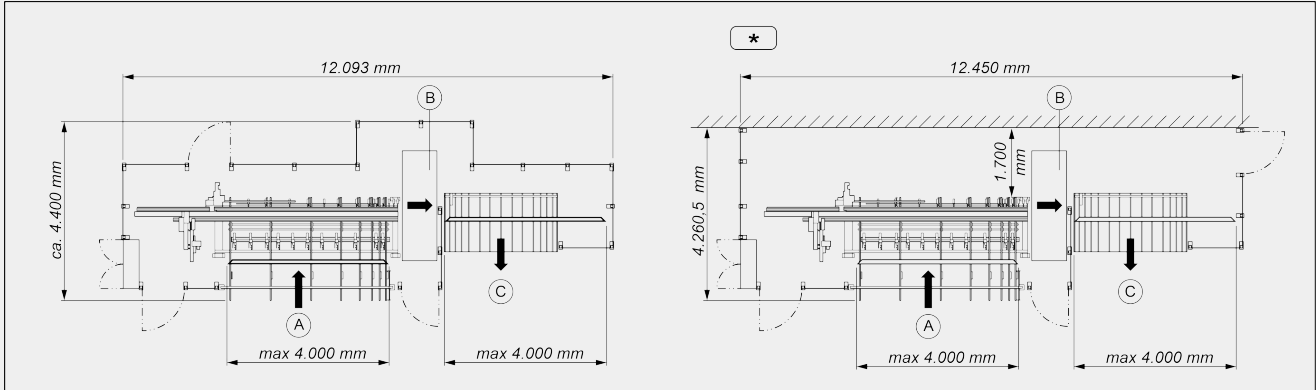
The right to make technical alterations is reserved.



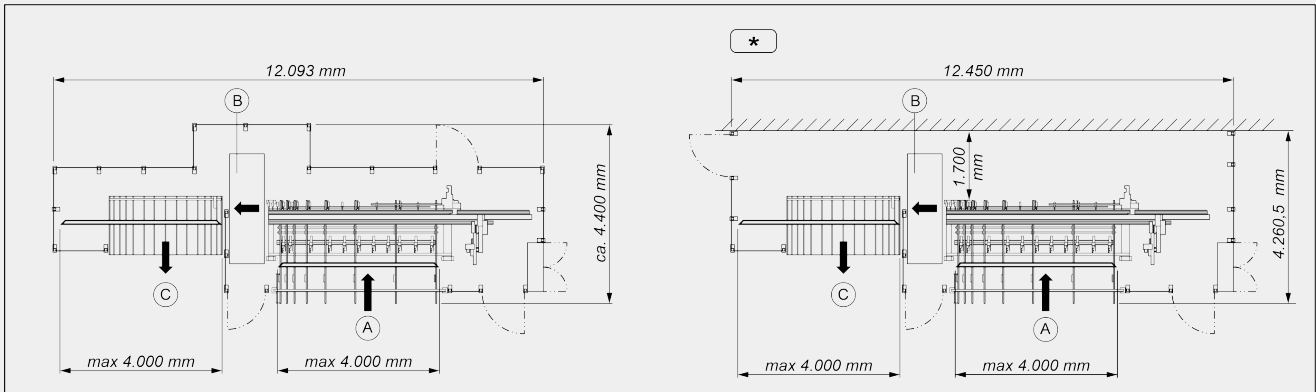
### SBZ 609 / CUTTING AND MACHINING CENTERS

#### LAYOUT

Left version (left to right)



Right version (right to left)



- A - Loading magazine
- B - Machining unit
- C - Unloading magazine
- \* - Standard version

The overall dimensions may vary depending on the product configuration.

#### AXIS TRAVEL

Y AXIS (cross) (mm)	370
Z AXIS (vertical) (mm)	270
X AXIS (bar positioning) (mm)	5.620
Y1 AXIS (cross gripper positioning) (mm)	130
Z1 AXIS (vertical gripper positioning) (mm)	145
A1 AXIS (gripper rotation)	280°

Voilàp S.p.A.  
Via Archimede, 10  
41019 - Limidi di Soliera (MO)  
ITALY

Tel 059 895411  
Fax: 059 859404  
P.IVA e C.F. 02057270361  
info@somecopvc.com  
www.somecopvc.com

The right to make technical alterations is reserved.

**LOADING UNIT: PROFILE POSITIONING**

Workpiece reference stop near the working unit	●
Maximum loadable length (mm)	4.000
Belt loading magazine for 14 profiles with a length varying from 350 mm to 4.000 mm, max. weight 40 kg	●
Loading feeder with 2 controlled axes for workpieces of up to 4.000 mm with gripper	●
Electronically controlled 0 - 180° collet rotation (C1 axis)	●
Minimum machinable profile section - W x H (mm)	30 x 30

**ELECTROSPINDLES FOR PVC MILLING (MANUAL CHANGE)**

Maximum power in S6 (kW)	0,75
Maximum speed (rpm)	16.300
Maximum diameter (mm)	12

**ELECTROSPINDLES FOR HANDLE DRILLING (MANUAL CHANGE)**

Maximum power in S6 (kW)	1,6
Maximum speed (rpm)	2.456
Maximum diameter for 3-spindle aggregate (mm max.)	12 / 14 / 12

**ELECTROSPINDLES FOR SMALL DIAMETER PVC & STEEL (MANUAL CHANGE) OPTIONAL**

Maximum power in S6 (kW)	1,2
Maximum speed (rpm)	9.820
Maximum diameter (mm)	12

**ELECTROSPINDLES FOR END MILLING (MANUAL CHANGE) OPTIONAL**

Maximum power in S6 (kW)	1,2
Maximum speed (rpm)	5.600
Maximum diameter (mm)	160

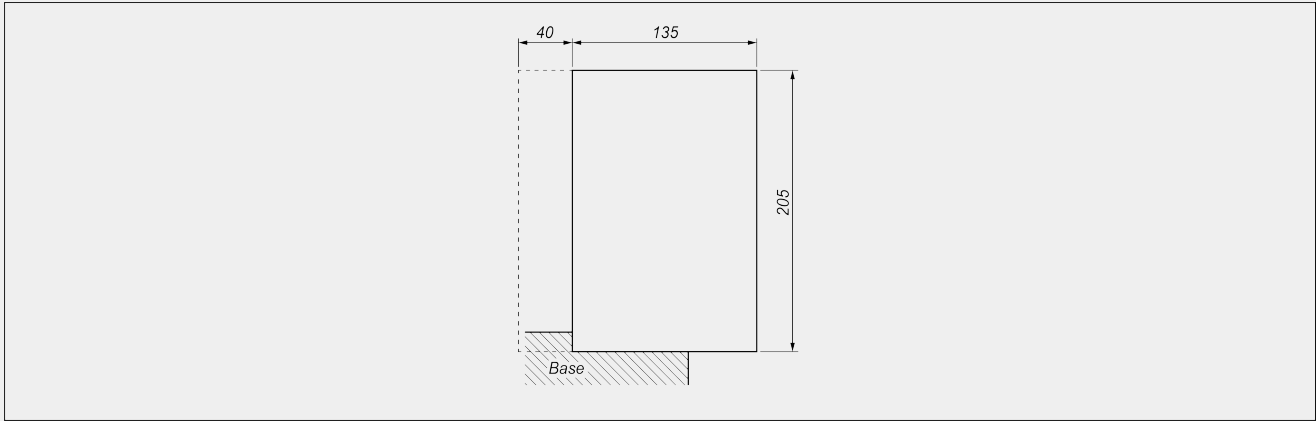


WORKABLE SIDES

Number of faces (top, side, bottom)

1 + 2 + 1

WORK AREA



\_\_\_\_\_ max. profile area  
 - - - - - max. overlap

WORKPIECE LOCKING

- Automatic fixed clamping system before machining area
- Automatic fixed clamping system after machining area
- Clamping system standard height 20 mm
- Clamping system for profile adapted to profile system

MODES OF OPERATION

- Screwing operation for reinforcement steel
- Upstream screwdriver rear/front including screw feeding
- Milling, drilling operations of the piece direct from the profiled bar
- Hand held scanner for bar code
- Rotary axis gripper
- 16 editing units including blow-off devices
- Tool package 16 units

**Voilàp S.p.A.**  
 Via Archimede, 10  
 41019 - Limidi di Soliera (MO)  
 ITALY

Tel 059 895411  
 Fax: 059 859404  
 P.IVA e C.F. 02057270361  
 info@somecopvc.com  
 www.somecopvc.com

The right to make technical alterations is reserved.



**SUPPORT BASE**

Monolithic in electrowelded and standardised steel

**UNLOADING UNIT**

Unloading table with a pneumatic pusher for workpieces of up to 4000 mm

Belt magazine unloading depth (mm)

1.900

**ELECTRIC CABINET COOLING**

Electrical cabinet with air conditioner for operating temperature < 45 °C

Electrical panel and CN conditioner for operating temperatures < 50°C

Included ● Available ○