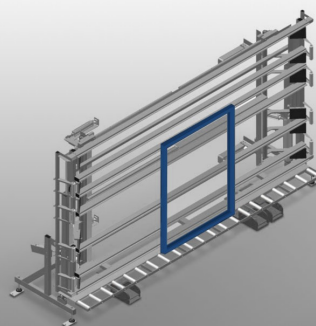


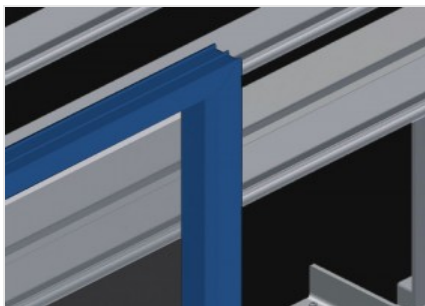


VE 3000

Inspection and glazing
units

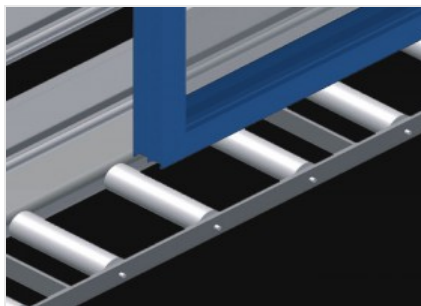


Inspection and glazing unit for glazing and final inspection in individual and serial assembly line production. Quick and precise assembly of windows, doors and elements. Stable steel construction. Precision ensured through parallel clamping bar pressing technique. Height continuously adjustable. Easy operation by means of foot switch. Two pressing bars which fold down and can be moved pneumatically and 4-fold compressed air supply.



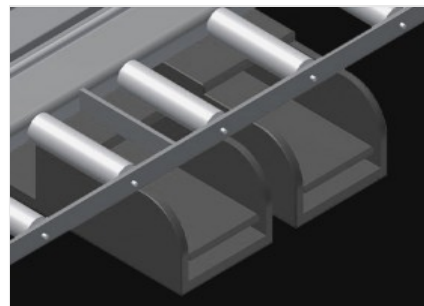
Back support

Rear back support with plastic slide bars



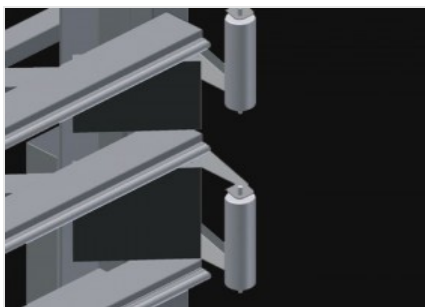
Roller support

Lower roller conveyor with support roller, L = 200 mm



Foot switch

All functions are controlled via foot valves



Pressing bar

Simultaneous folding and moving of the pressing bars ensure a minimum of time is required for opening and closing the press. Allows free pass-through of the window



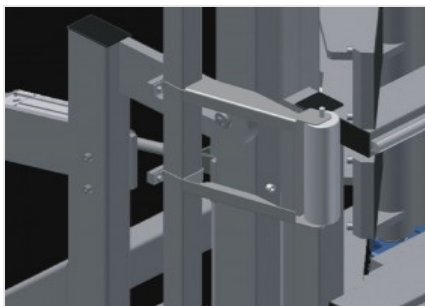
Left lead-in rollers (Optional)

Protective rollers for beginning or end of roller conveyor



Right lead-in rollers (Optional)

Protective rollers for beginning or end of roller conveyor



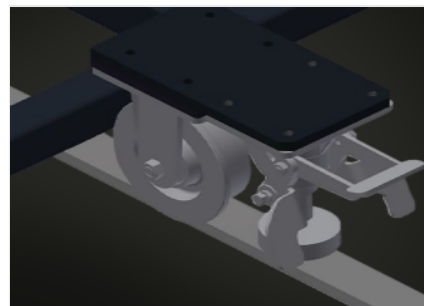
Tilt adjustment of 0° - 8° (Optional)

Pneumatic tilt adjustment of 0° - 8°



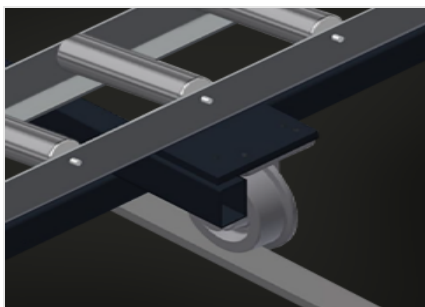
Profile protectors (Optional)

Profile protectors for support rollers 200 mm. Support rollers covered with protective tubing



Mobility unit (Optional)

Mobility unit for KT/KTH/MS/VE.
Mobility unit with flanged rollers and fixing brake



Rails (Optional)

Rails, 2.0 m, left and right

**VE 3000 / INSPECTION AND GLAZING UNITS****CHARACTERISTICS**

Length (mm)	4.410
Width (mm)	1.180
Height (mm)	2.600
Maximum clamping width (mm)	3.000
Minimum clamping width (mm)	400
Adjustable height (mm)	500
Clamping bar height (mm)	2.300
Clamping bar width (mm)	120
Height continuously adjustable	●
Lower roller conveyor width (mm)	200
Weight (kg)	470
Load capacity (kg)	200
4-fold compressed air supply	●
Operating air pressure (bar)	7
Air consumption approx. (l/min)	35
Lead-in rollers right, complete L= 2052 mm	○
Lead-in rollers left, complete L= 2052 mm	○
Mobility unit	○
Rail 2,0 m left and right	○
Profile protectors for L= 200 mm	○
Pneumatic tilt adjustment of 0° - 8°	○

Included ● Available ○