



VR 2000 F

Vertical Rollers Conveyors



Vertical roller conveyor for transportation and storage of window elements. Stable steel construction. Expandable using modular system design. Vertical roller conveyor for smooth transportation and storage of window elements. Easy handling of window elements. Every roller conveyor unit is 2.000 mm long. Plastic slide bars top and bottom. Three mini-roller conveyors with rubber rollers, diameter 50 mm. Basic unit without end rack.



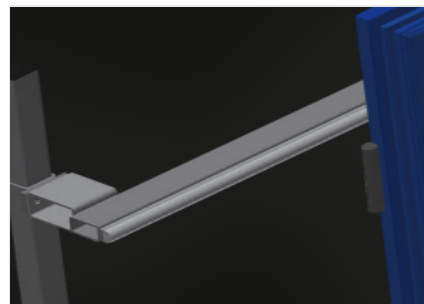
Support rollers

Rollers throughout, support roller width 200 mm



Mini-roller conveyor

Three mini-roller conveyors with rubber rollers, diameter 50 mm



Back support

Rear back support with plastic slide bars, top and bottom



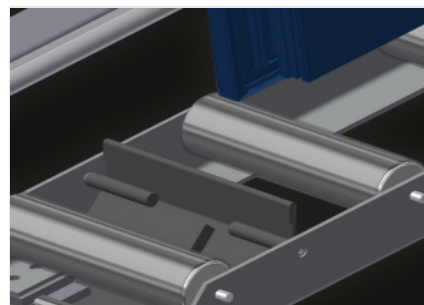
Grip

Grip makes pushing the roller conveyor on the rails easy



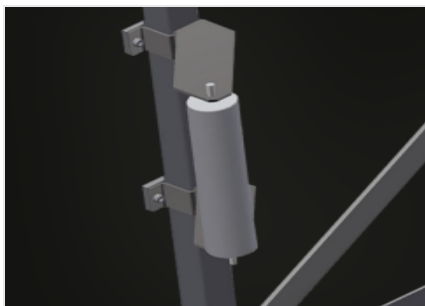
Mobility unit

Mobility unit with flanged rollers and fixing brake



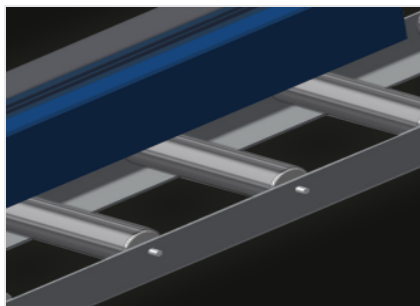
End stop (Optional)

End stop L = 200 mm



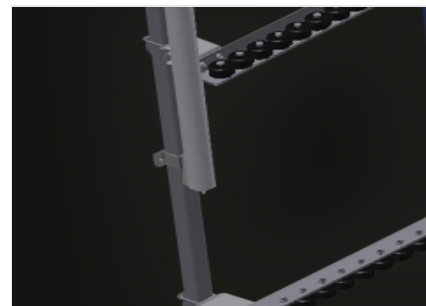
**Lead-in rollers
(Optional)**

Protective rollers for beginning or end
of roller conveyor: - L = 500 mm (pair)
- L = 250 mm (pair)



**Profile protectors
(Optional)**

Profile protectors for support rollers
200 mm (Alum./11 x and Alum./16 x).
Support rollers covered with protective
tubing



**Additional mini-roller
conveyors (Optional)**

Additional mini-roller conveyors with
rubber rollers top/bottom



Rails (Optional)

Rails, 2.0 m, left and right



VR 2000 F / VERTICAL ROLLERS CONVEYORS

DIMENSION AND WEIGHT

| | |
|---------------------------|-------|
| Length (mm) | 2.000 |
| Width (mm) | 1.000 |
| Height (mm) | 2.490 |
| Support roller width (mm) | 200 |
| Support height (mm) | 2.100 |
| Weight (kg) | 100 |

CHARACTERISTICS

| | |
|---|-----|
| Load capacity (kg) | 200 |
| Mini-roller conveyors with rubber rollers, diameter 50 mm | 3 |
| Basic unit with end rack | ● |
| Vertical roller conveyor on rails with flanged rollers mobile | ● |
| Lead-in rollers L= 500 mm (pair) | ○ |
| Lead-in rollers L= 250 mm (pair) | ○ |
| Additional mini-roller conveyors with rubber rollers top/bottom | ○ |
| Profile protectors for L= 200 mm | ○ |
| End stop L= 200 mm | ○ |
| Rail 2,0 m left and right | ○ |

Included ● Available ○