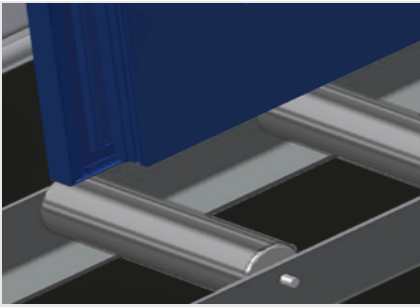


## VR 3000 DF

### Vertical Rollers Conveyors

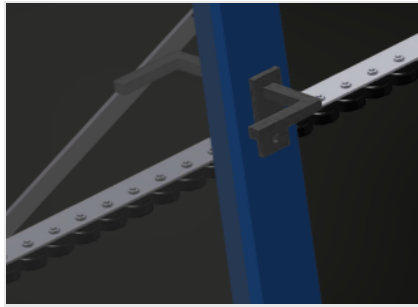


Stable steel construction. Vertical roller conveyor for smooth transportation to the next work task as well as for transportation to storage and sorting of the finished windows. Easy handling of window elements. Every roller conveyor unit is 3.000 mm long. Plastic slide bars top and bottom. Three mini-roller conveyors with rubber rollers, diameter 50 mm. Basic unit with end rack. Vertical roller conveyor on rails with flanged rollers, mobile. Roller conveyor can be rotated 360°.



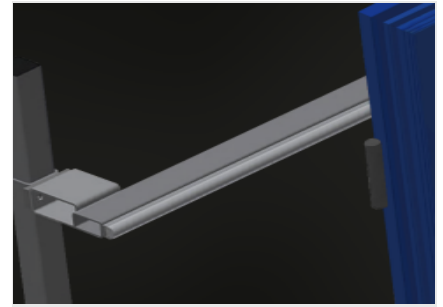
**Support rollers**

Rollers throughout, support roller width 200 mm



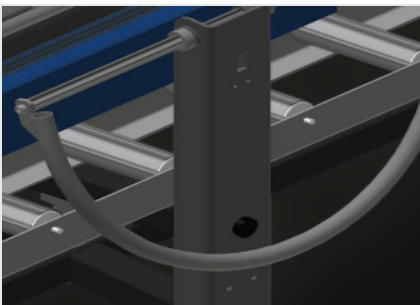
**Mini-roller conveyor**

Three mini-roller conveyors with rubber rollers, diameter 50 mm



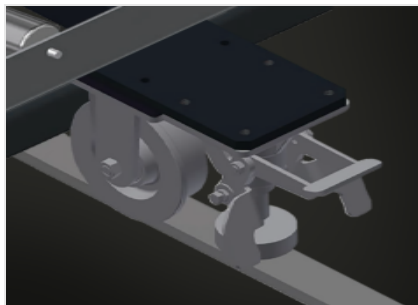
**Back support**

Rear back support with plastic slide bars, top and bottom



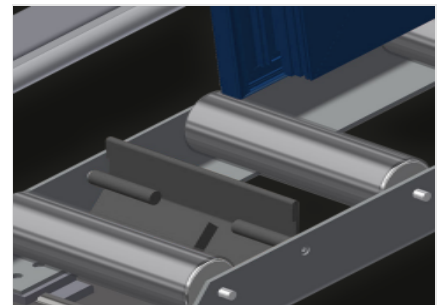
**Grip**

Grip makes pushing the roller conveyor on the rails easy



**Mobility unit**

Mobility unit with flanged rollers and fixing brake



**End stop (Optional)**

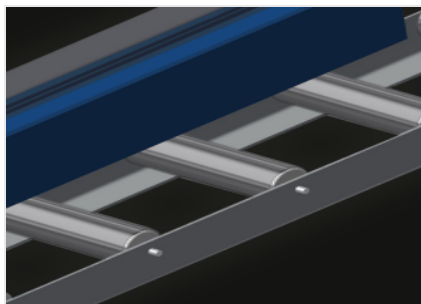
End stop L = 200 mm





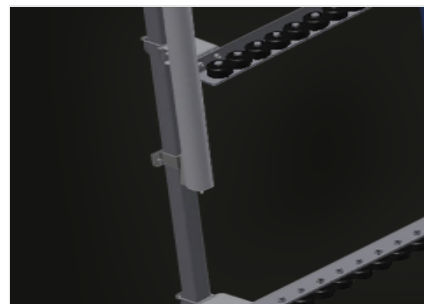
**Lead-in rollers (Optional)**

Protective rollers for beginning or end of roller conveyor: - L = 500 mm (pair)  
- L = 250 mm (pair)



**Profile protectors (Optional)**

Profile protectors for support rollers 200 mm (Alum./11 x and Alum./16 x). Support rollers covered with protective tubing



**Additional mini-roller conveyors (Optional)**

Additional mini-roller conveyors with rubber rollers top/bottom



**Rails (Optional)**

Rails, 2.0 m, left and right



VR 3000 DF / VERTICAL ROLLERS CONVEYORS

DIMENSION AND WEIGHT

Length (mm)	3.000
Width (mm)	1.000
Height (mm)	2.490
Support roller width (mm)	200
Support height (mm)	2.100
Weight (kg)	180

CHARACTERISTICS

Load capacity (kg)	200
Mini-roller conveyors with rubber rollers, diameter 50 mm	3
Basic unit with end rack	●
Vertical roller conveyor on rails with flanged rollers mobile	●
Roller conveyor can be rotated 360°	●
Lead-in rollers L= 500 mm (pair)	○
Lead-in rollers L= 250 mm (pair)	○
Additional mini-roller conveyors with rubber rollers top/bottom	○
Profile protectors for L= 200 mm	○
End stop L= 200 mm	○
Rail 2,0 m left and right	○

Included ● Available ○

Voilàp S.p.A.  
Via Archimede, 10  
41019 - Limidi di Soliera (MO)  
ITALY

Tel 059 895411  
Fax: 059 859404  
P.IVA e C.F. 02057270361  
info@somecopvc.com  
www.somecopvc.com

The right to make technical alterations is reserved.