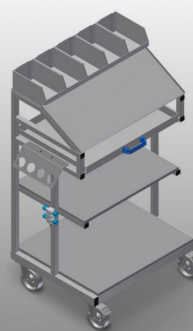
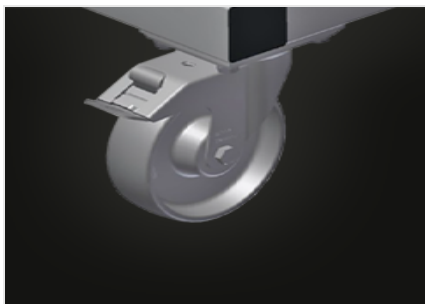


# WKW 800

Transport and trolleys

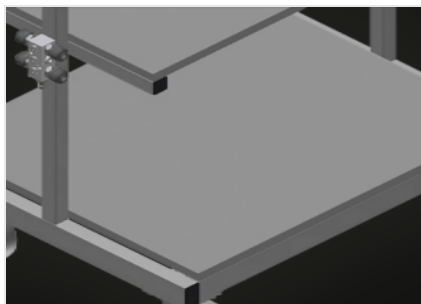


Accessories trolley for tools and small parts for the assembly station. Stable steel construction. The trolley is suitable for depositing tools and material. Makes organising the workplace easy. Makes transportation to the assembly station easy. Two storage trays for setting down accessories and tools. Five PVC containers for small accessories, hardware and screws. Storage area with reading desk for drawings. Tool rack for pneumatic or electric tools. Four swivel castors, two of which with locking stop.



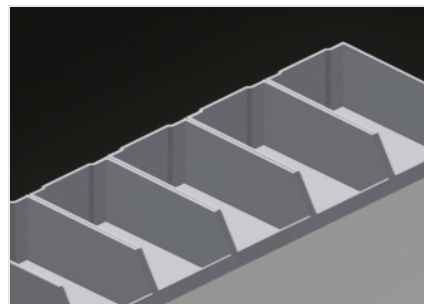
### Casters

Four casters, two of which have a fixing brake, provide a high degree of mobility and easy, safe handling



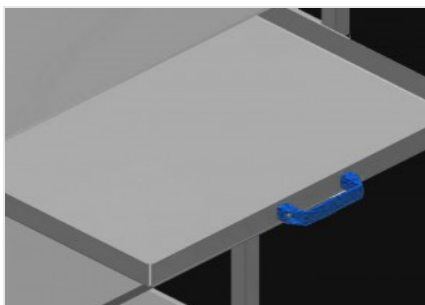
### Storage surfaces for accessories

Storage tray for setting down accessories and tools



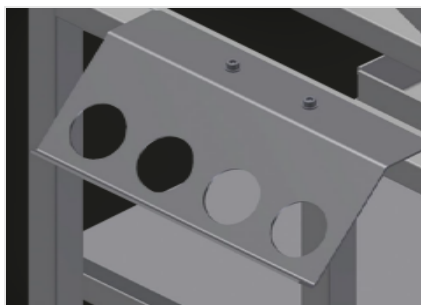
### Containers

PVC containers for small accessories, hardware and screws



### Drawer

Drawer for tools



### Tool rack

Tool rack for pneumatic or electric tools



WKW 800 / TRANSPORT AND TROLLEYS

**DIMENSION AND WEIGHT**

Length (mm)	750
Width (mm)	600
Height (mm)	1.300
Weight (kg)	60

**STORAGE CAPACITY**

Load capacity (kg)	300
Drawer for tools	1
Storage trays	2
PVC containers	5

**CHARACTERISTICS**

4-fold compressed air supply	●
Swivel castors	4
Swivel castors with locking stop	2
Swivel castors diameter (mm)	125

Included ● Available ○